



SLIDING BARN DOOR ACCESSORIES

S.R.I Hardware Company Limited

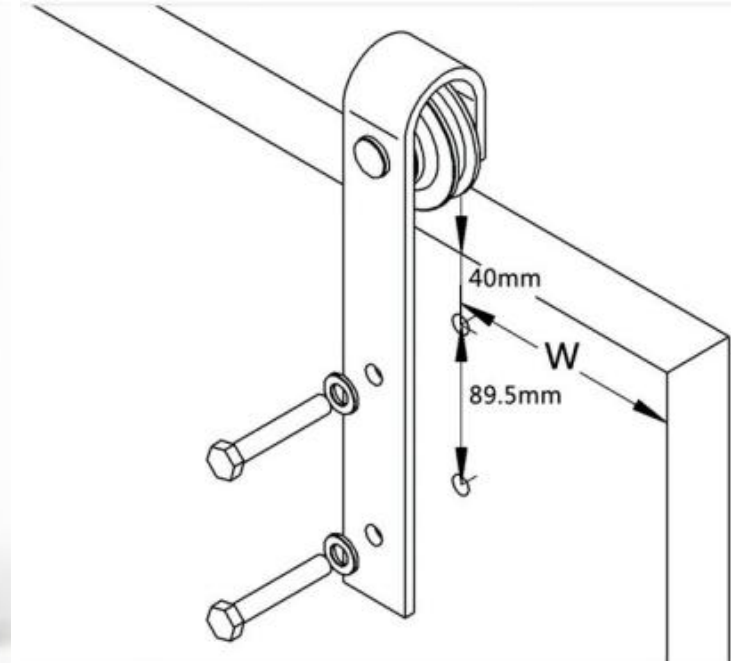
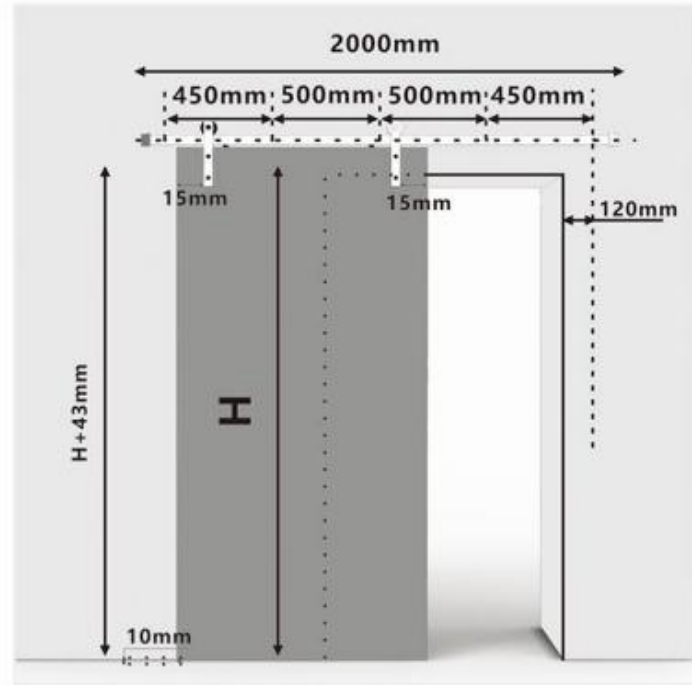
Facoty Address: A building, No 111, long wan li, jianghai 2nd road, Jianghaidistrict, Jiangmen, Guangdong, China

Tel: 0750-3813786 Fax: 0750-3837167 Phone number: 0086 133 1675 9685

Email : sales2@jmsrihardware.com

www.jmsrihardware.com

SLING BARN DOOR ACCESSORIES(J SHAPE)



Anti Jumper Floor Guide Door Stopper Track Spacer Install Screw M10 Screw

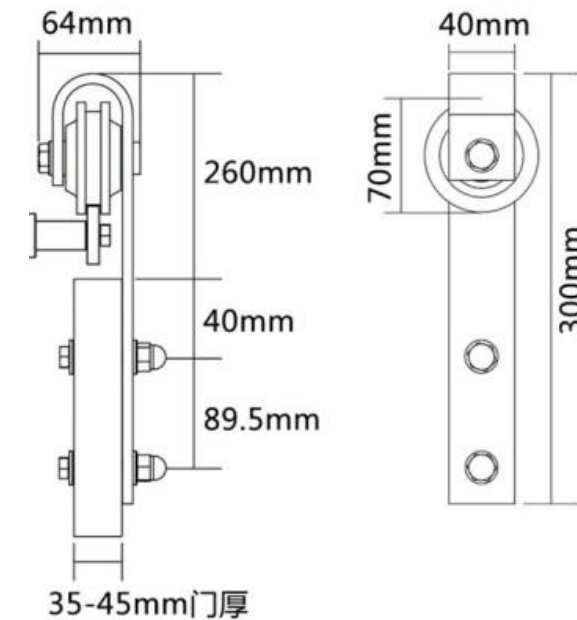
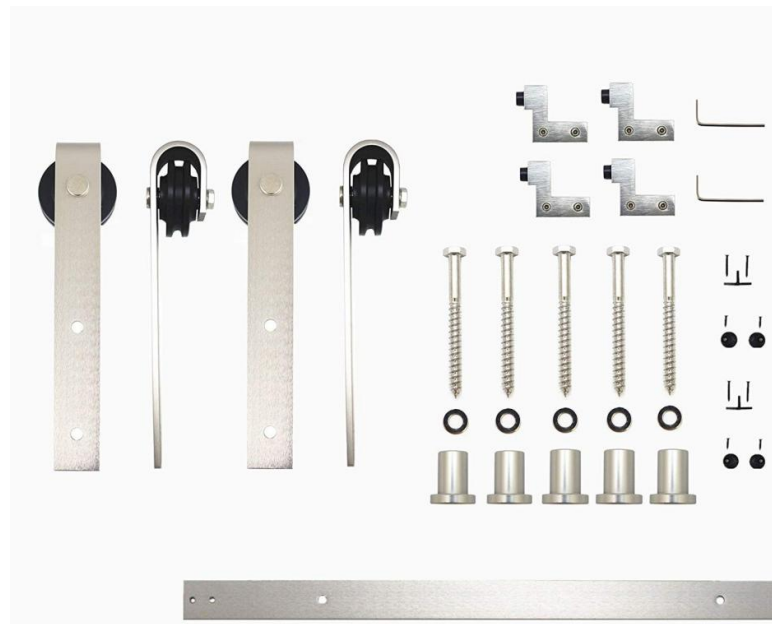
Product Item: SRIBD-015-Stainless Steel

Specifications:

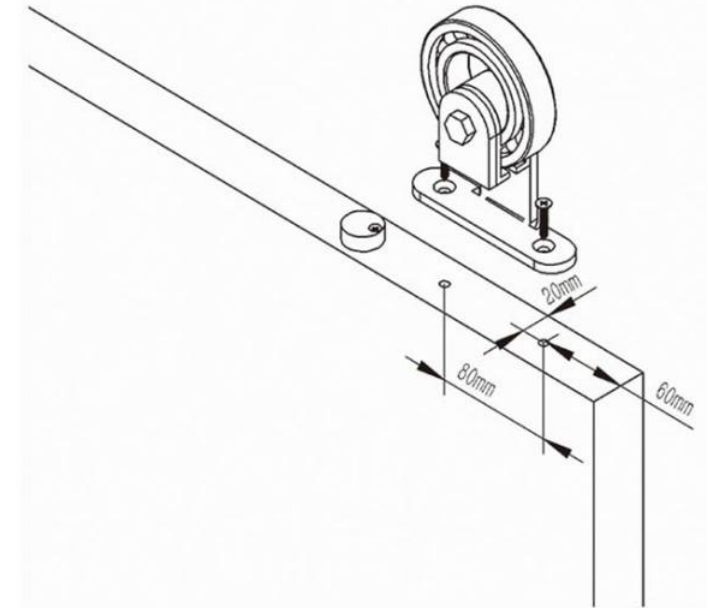
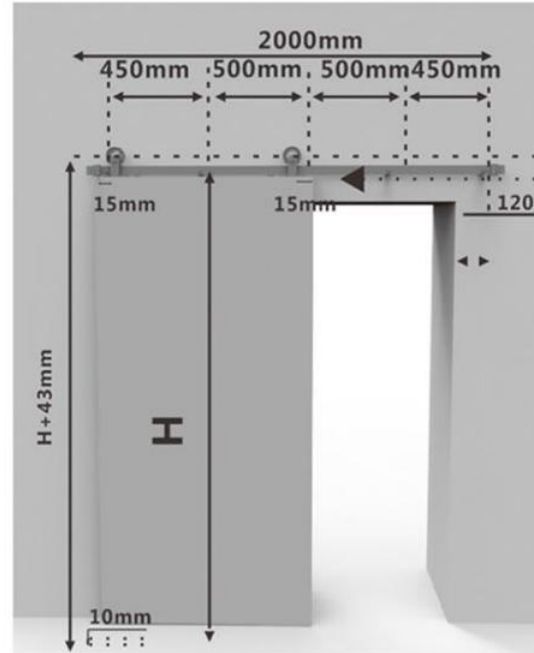
1. Application Door Thickness: 40-45mm
2. Gravity Bearing < 150kg
3. Main Material : **Stainless Steel**
4. Track Thickness: 6mm

Accessory:

- Track: 6mm Carbon Steel
- Roller: 6mm Carbon Steel
- Stopper: Aluminum Alloy
- Screw: Grade 8.8 High Strength Bolt
- Floor Guide: POM



SLING BARN DOOR ACCESSORIES(O SHAPE)



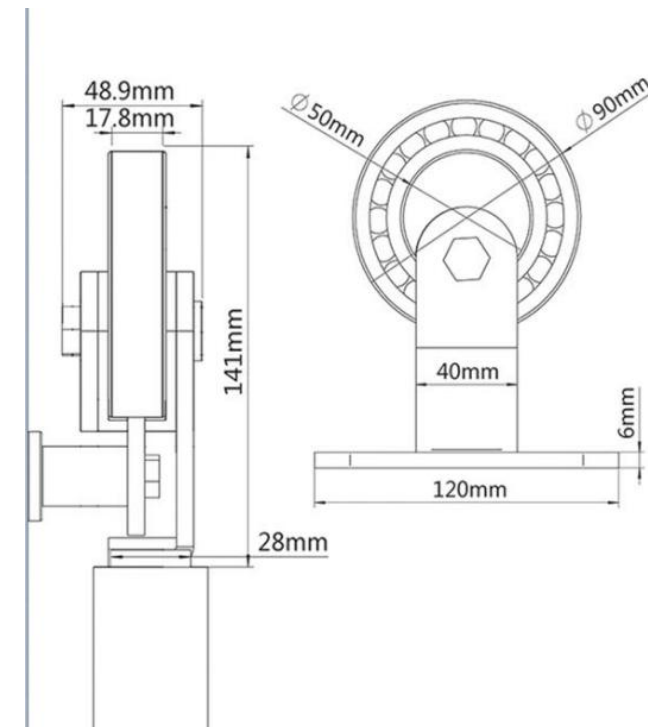
Product Item: SRIBD-001

Specifications:

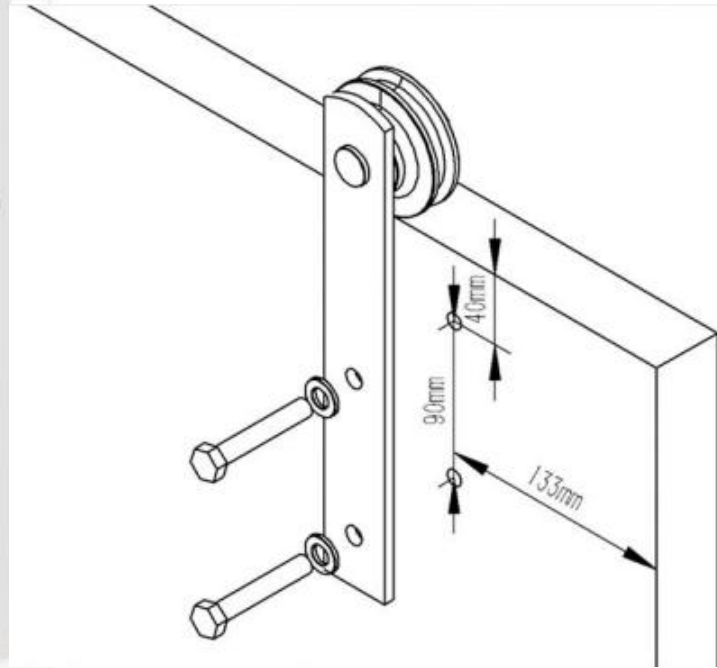
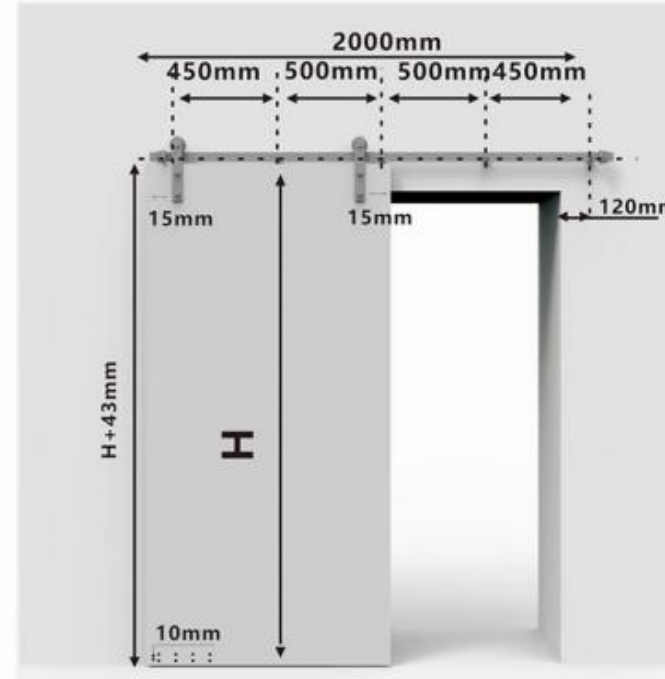
1. Application Door Thickness: 40-45mm
2. Gravity Bearing < 150kg
3. Main Material : Carbon Steel / Aluminum Alloy
4. Track Thickness: 6mm

Accessory:

- Track: 6mm Carbon Steel
- Roller: 6mm Carbon Steel
- Stopper: Aluminum Alloy
- Screw: Grade 8.8 High Strength Bolt
- Floor Guide: POM



SLING BARN DOOR ACCESSORIES(I SHAPE)



Anti Jumper Floor Guide Door Stopper Track Spacer Install Screw M10 Screw

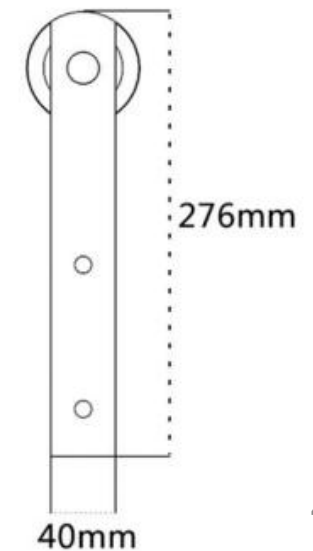
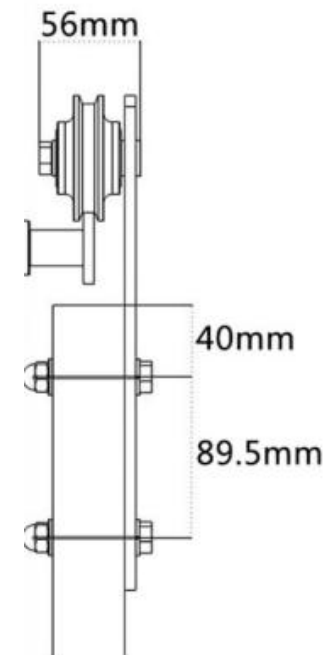
Product Item: SRIBD-011

Specifications:

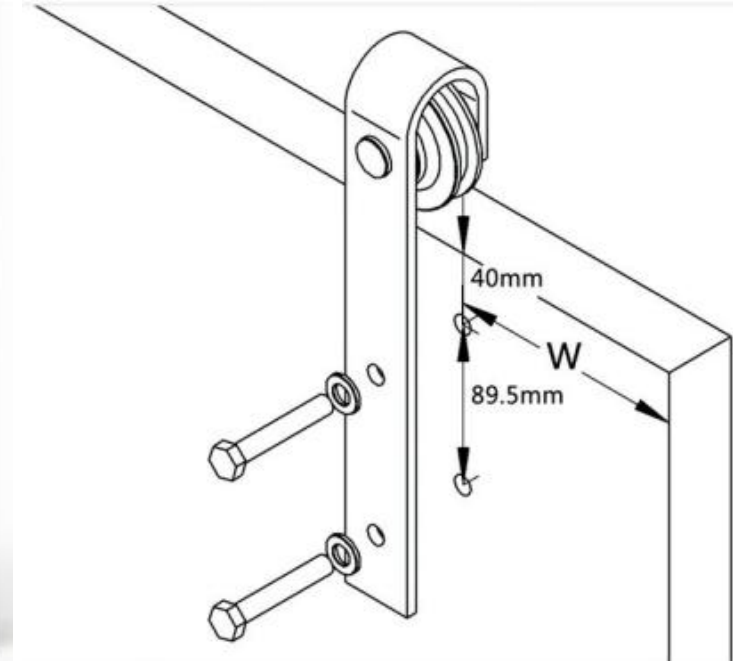
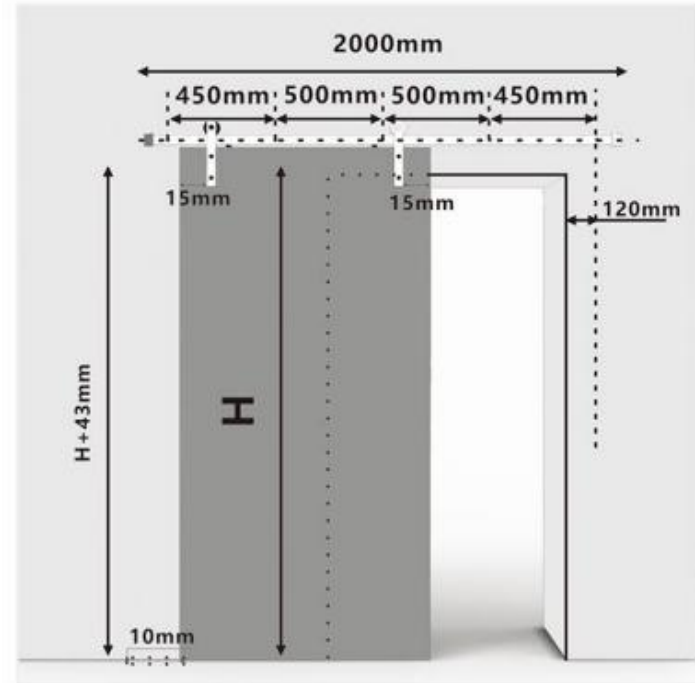
1. Application Door Thickness: 40-45mm
2. Gravity Bearing < 150kg
3. Main Material : Carbon Steel / Aluminum Alloy
4. Track Thickness: 6mm

Accessory:

- Track: 6mm Carbon Steel
- Roller: 6mm Carbon Steel
- Stopper: Aluminum Alloy
- Screw: Grade 8.8 High Strength Bolt
- Floor Guide: POM



SLING BARN DOOR ACCESSORIES(J SHAPE)



Anti Jumper Floor Guide Door Stopper Track Spacer Install Screw M10 Screw

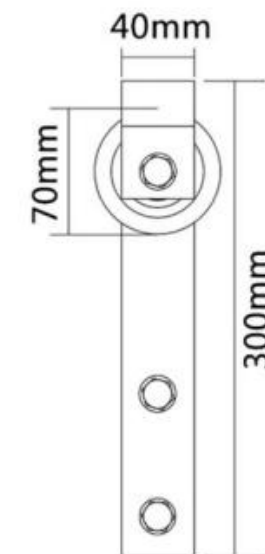
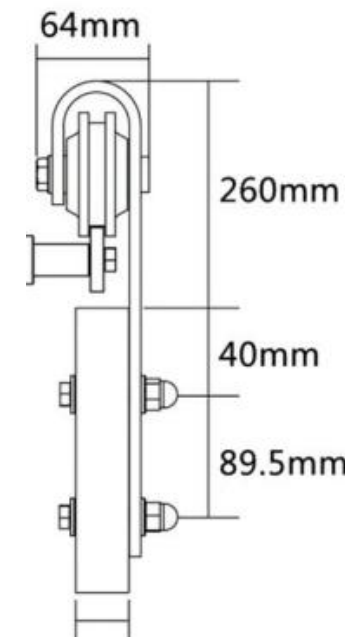
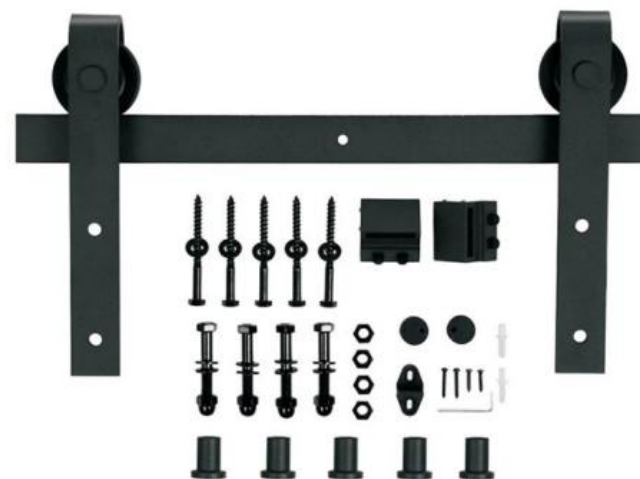
Product Item: SRIBD-015

Specifications:

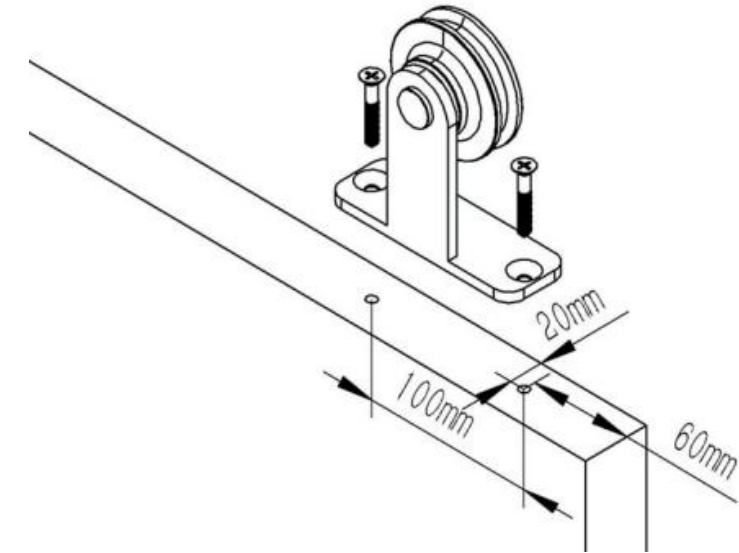
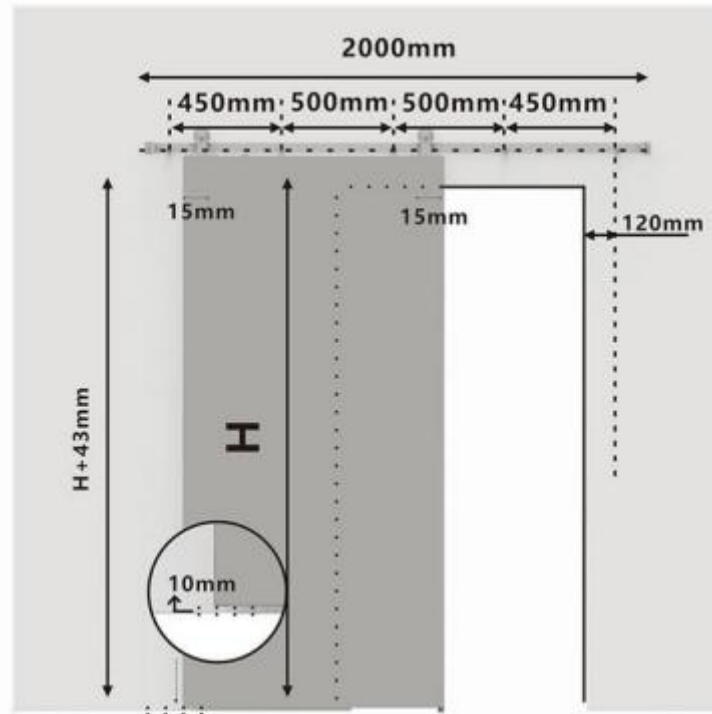
1. Application Door Thickness: 40-45mm
2. Gravity Bearing < 150kg
3. Main Material : Carbon Steel / Aluminum Alloy
4. Track Thickness: 6mm

Accessory:

- Track: 6mm Carbon Steel
- Roller: 6mm Carbon Steel
- Stopper: Aluminum Alloy
- Screw: Grade 8.8 High Strength Bolt
- Floor Guide: POM



SLING BARN DOOR ACCESSORIES(T SHAPE)



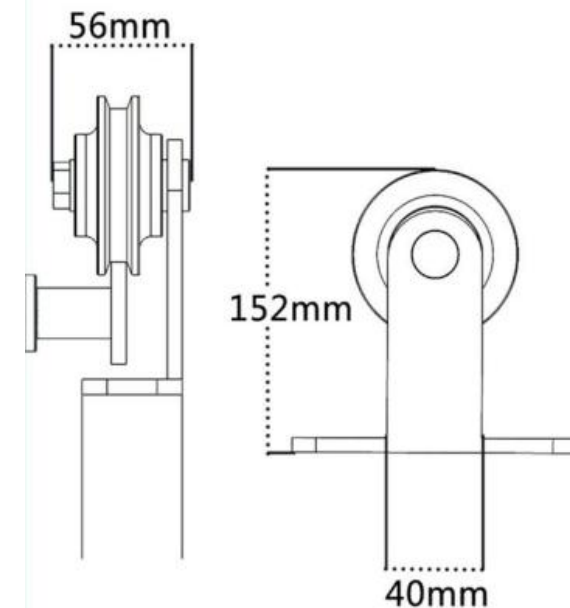
Product Item: SRIBD-026

Specifications:

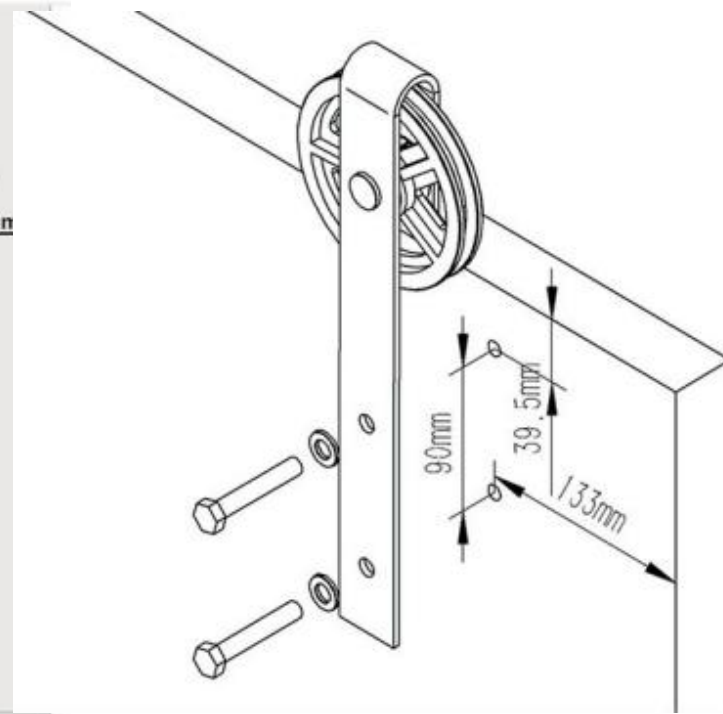
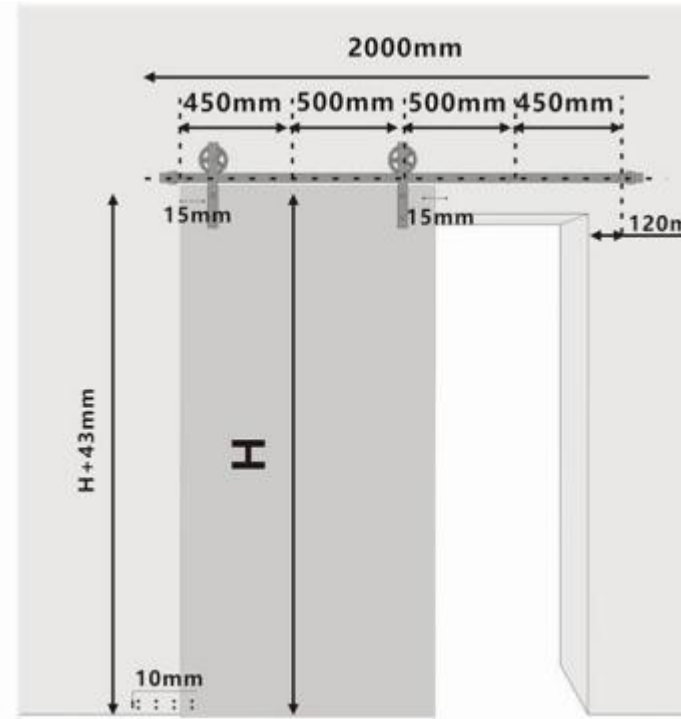
1. Application Door Thickness: 40-45mm
2. Gravity Bearing < 150kg
3. Main Material : Carbon Steel / Aluminum Alloy
4. Track Thickness: 6mm

Accessory:

- Track: 6mm Carbon Steel
- Roller: 6mm Carbon Steel
- Stopper: Aluminum Alloy
- Screw: Grade 8.8 High Strength Bolt
- Floor Guide: POM



SLING BARN DOOR ACCESSORIES (BIG WHEEL)



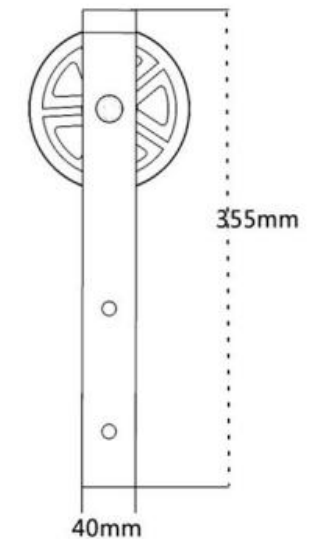
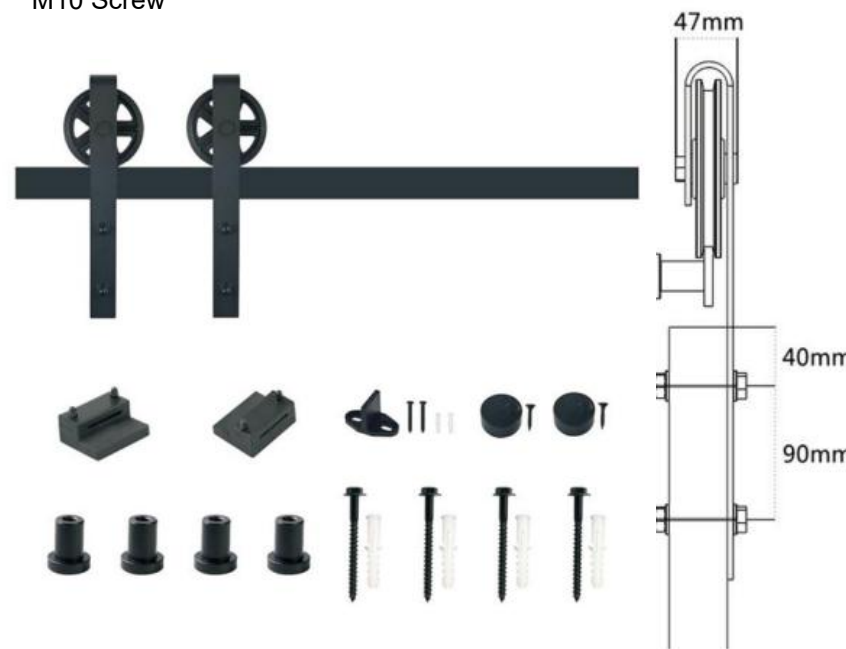
Product Item: SRIBD-028

Specifications:

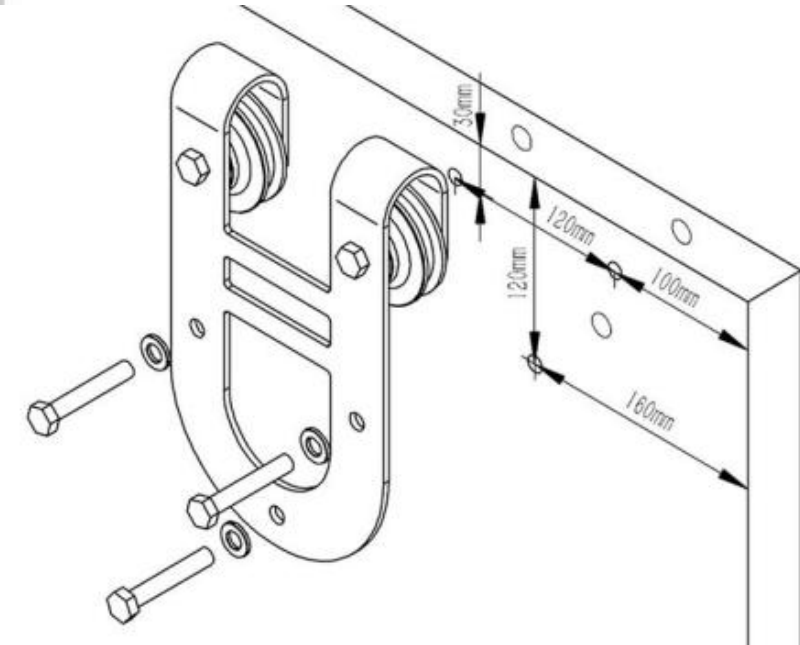
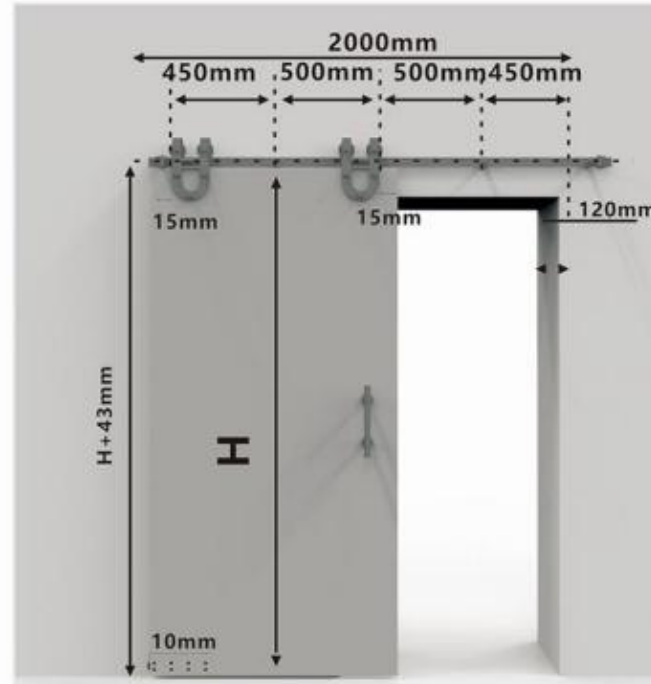
- 1. Application Door Thickness: 40-45mm
- 2. Gravity Bearing < 150kg
- 3. Main Material : Carbon Steel / Aluminum Alloy
- 4. Track Thickness: 6mm

Accessory:

- Track: 6mm Carbon Steel
- Roller: 6mm Carbon Steel
- Stopper: Aluminum Alloy
- Screw: Grade 8.8 High Strength Bolt
- Floor Guide: POM



SLING BARN DOOR ACCESSORIES (BIG U)



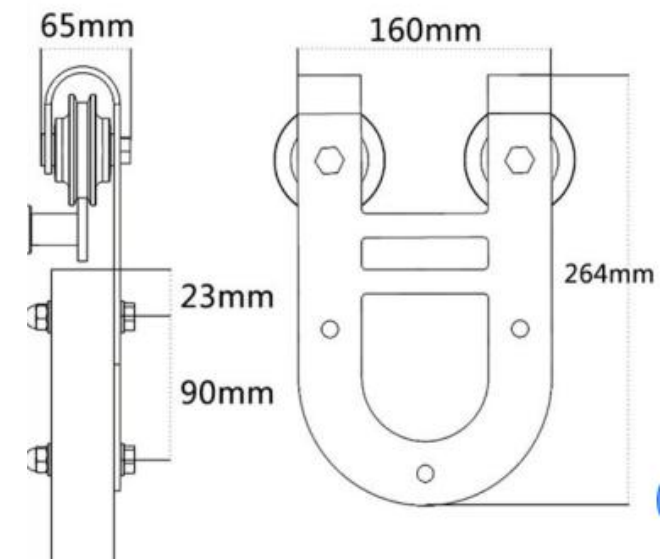
Product Item: SRIBD-030

Specifications:

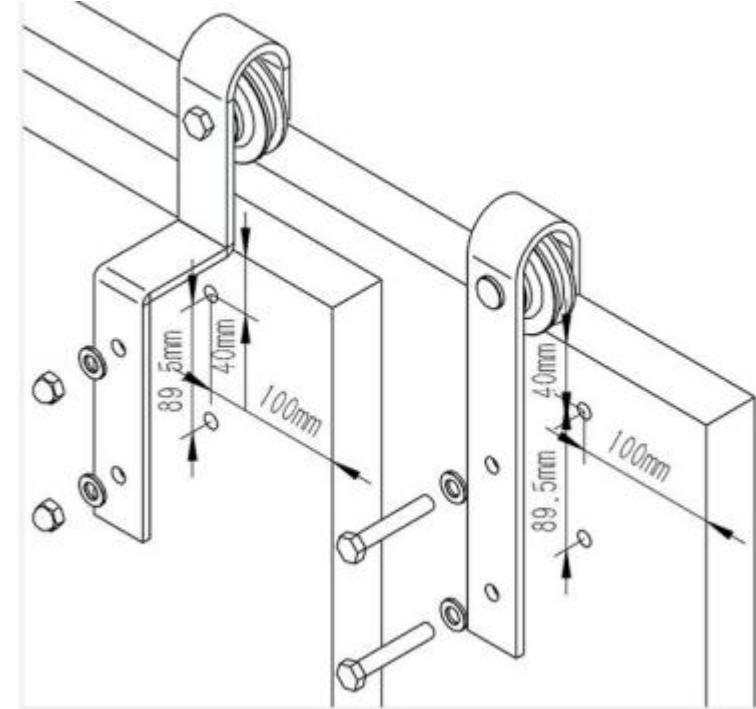
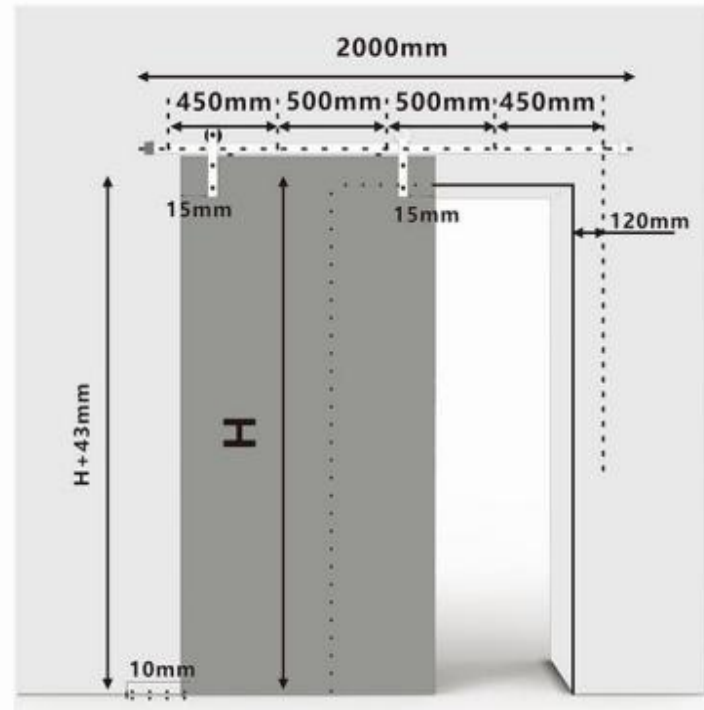
1. Application Door Thickness: 40-45mm
2. Gravity Bearing < 150kg
3. Main Material : Carbon Steel / Aluminum Alloy
4. Track Thickness: 6mm

Accessory:

- Track: 6mm Carbon Steel
- Roller: 6mm Carbon Steel
- Stopper: Aluminum Alloy
- Screw: Grade 8.8 High Strength Bolt
- Floor Guide: POM



SLING BARN DOOR ACCESSORIES (SINGLE TRACK)



Anti Jumper Floor Guide Door Stopper Track Spacer Install Screw M10 Screw

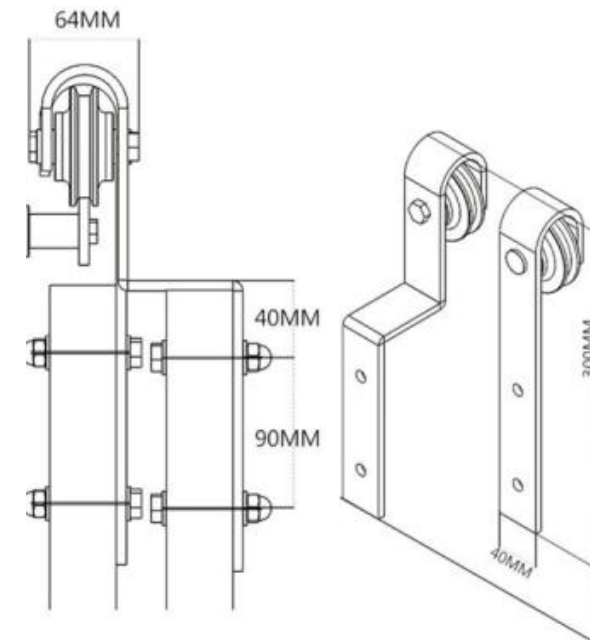
Product Item: SRIBD-031

Specifications:

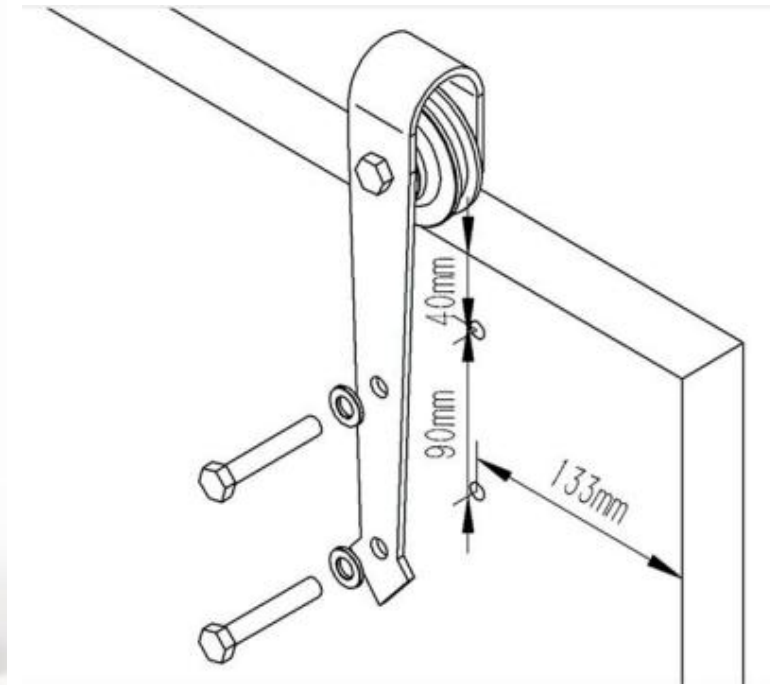
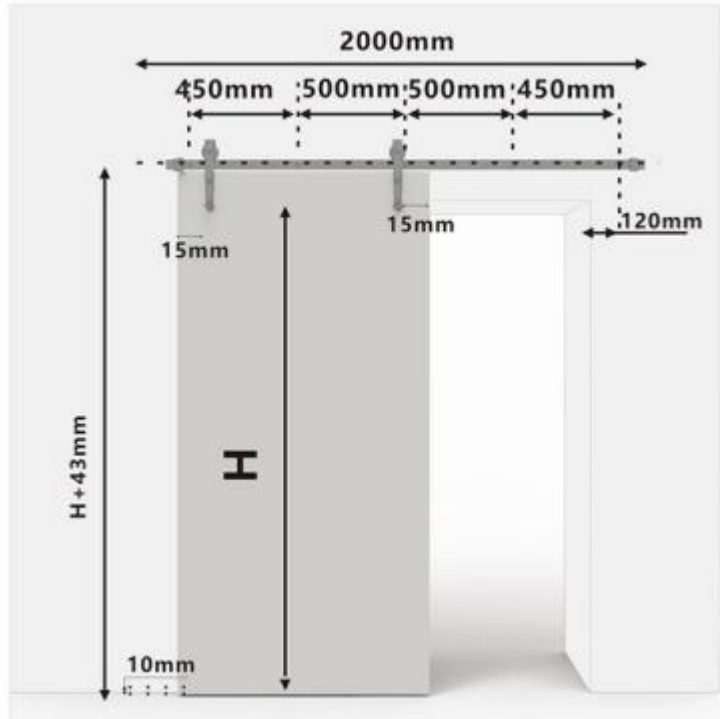
1. Application Door Thickness: 40-45mm
2. Gravity Bearing < 150kg
3. Main Material : Carbon Steel / Aluminum Alloy
4. Track Thickness: 6mm

Accessory:

- Track: 6mm Carbon Steel
- Roller: 6mm Carbon Steel
- Stopper: Aluminum Alloy
- Screw: Grade 8.8 High Strength Bolt
- Floor Guide: POM



SLING BARN DOOR ACCESSORIES (ARROW SHAPE)



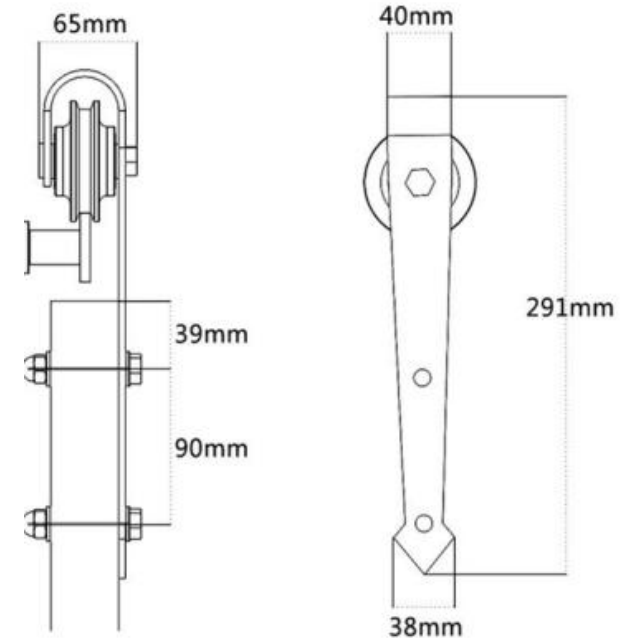
Product Item: SRIBD-036

Specifications:

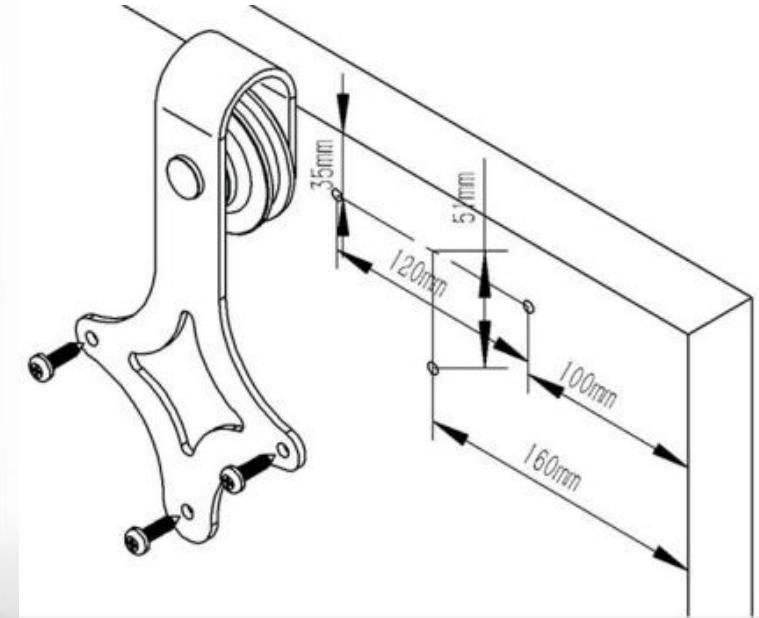
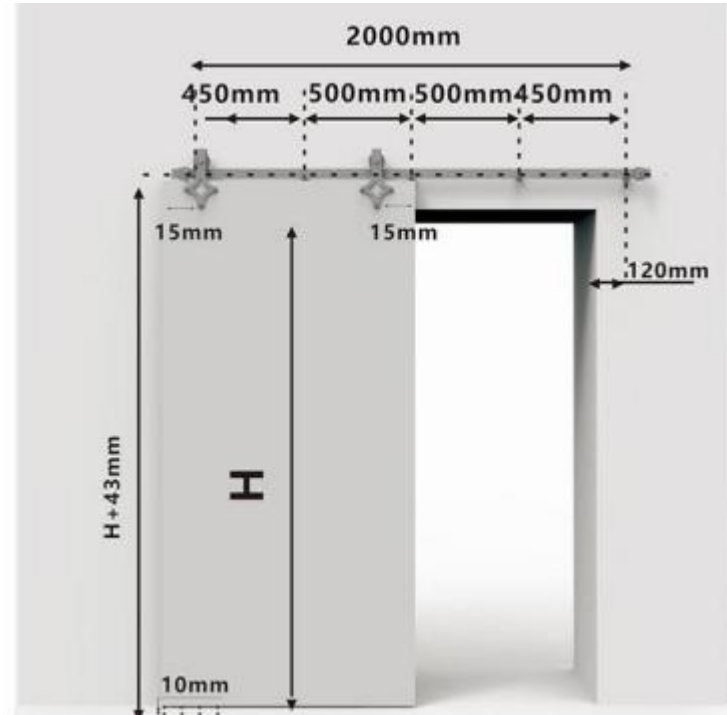
1. Application Door Thickness: 40-45mm
2. Gravity Bearing < 150kg
3. Main Material : Carbon Steel / Aluminum Alloy
4. Track Thickness: 6mm

Accessory:

- Track: 6mm Carbon Steel
- Roller: 6mm Carbon Steel
- Stopper: Aluminum Alloy
- Screw: Grade 8.8 High Strength Bolt
- Floor Guide: POM



SLING BARN DOOR ACCESSORIES (DIAMOND)



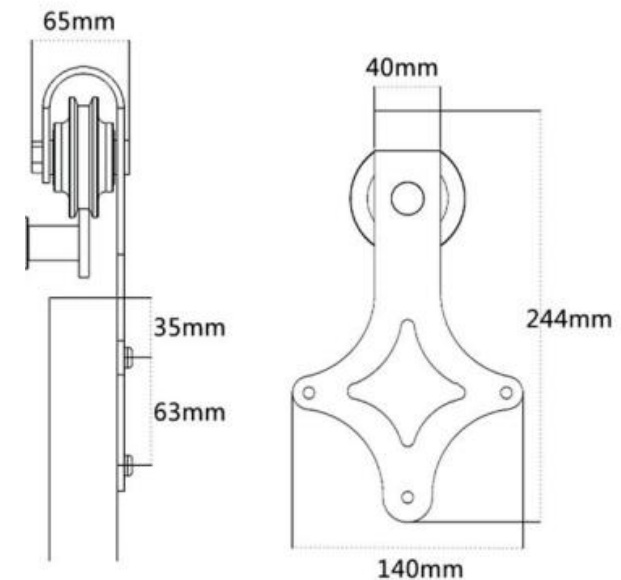
Product Item: SRIBD-037

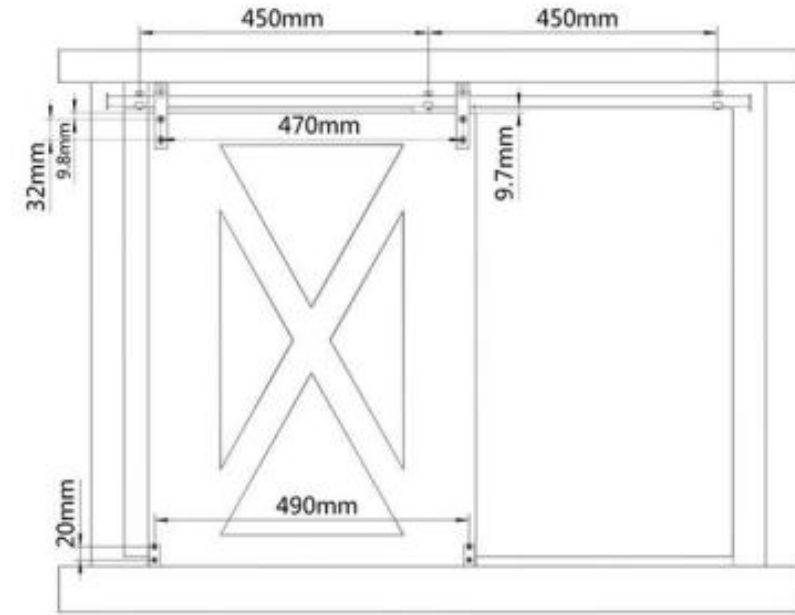
Specifications:

- 1. Application Door Thickness: 40-45mm
- 2. Gravity Bearing < 150kg
- 3. Main Material : Carbon Stell /Aluminum Alloy
- 4. Track Thickness: 6mm

Accessory:

- Track: 6mm Carbon Steel
- Roller: 6mm Carbon Steel
- Stopper: Aluminum Alloy
- Screw: Grade 8.8 High Strength Bolt
- Floor Guide: POM





Floor Guide



Roller



Track Spacer



Track

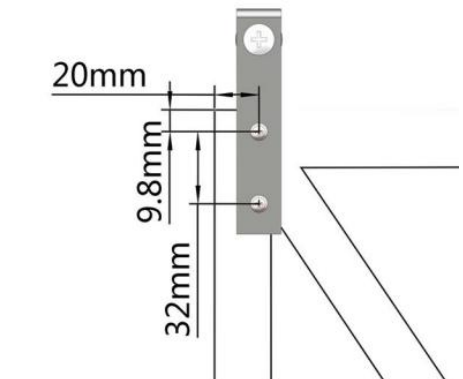
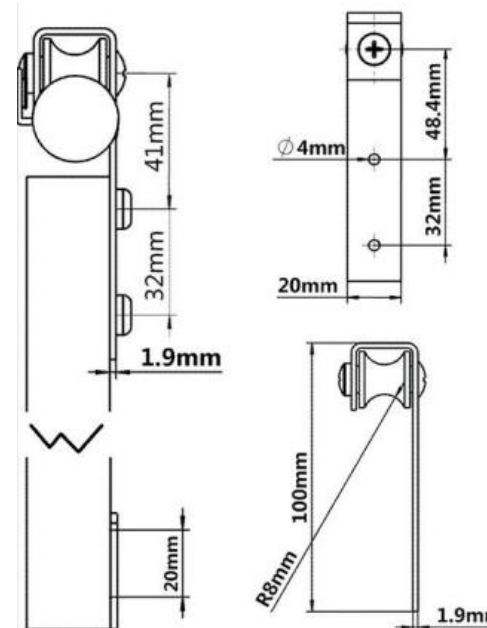
Product Item: SRIBD-038

Specifications:

1. Application Door Thickness: 25.4-28.5mm
2. Gravity Bearing < 50kg
3. Main Material : Carbon Steel
4. Track Thickness: Dia 16mm

Accessory:

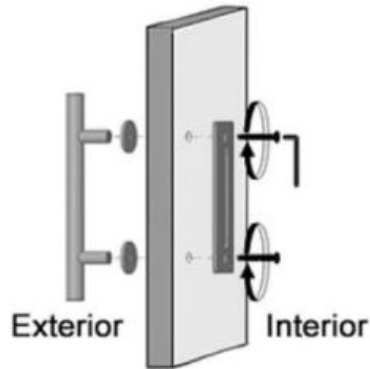
- Track: Dia 16mm Carbon Steel
- Roller: 3mm Carbon Steel
- Screw: M4 Screw
- Floor Guide: 3mm Carbon Steel





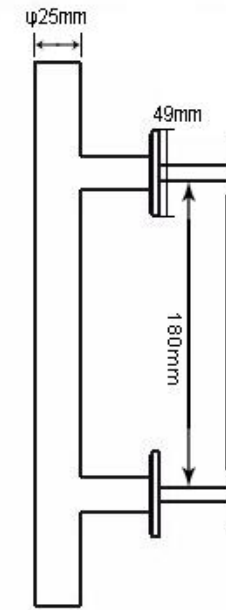
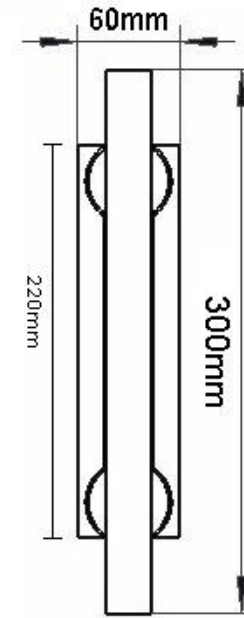
SLIDING BARN DOOR HANDLES

Round Barn Door Handle In Stainless Steel

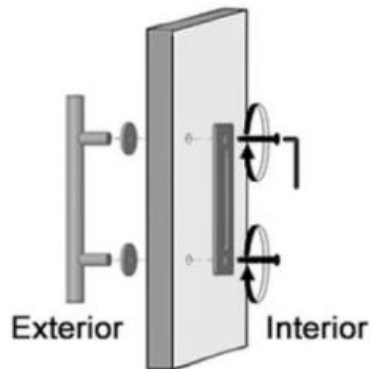


Product Item: TP-021-R

- Specifications:
1. 300mm Length or customized
 2. Main Material : **Stainless Steel**
 3. Door Thickness: 40-45mm
 4. Net Weight: 900g

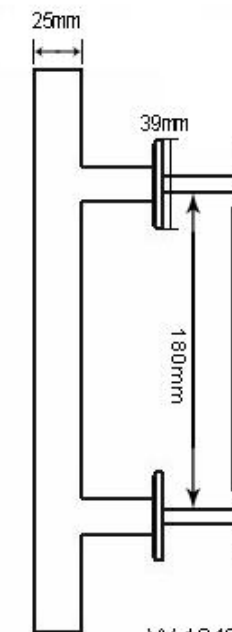
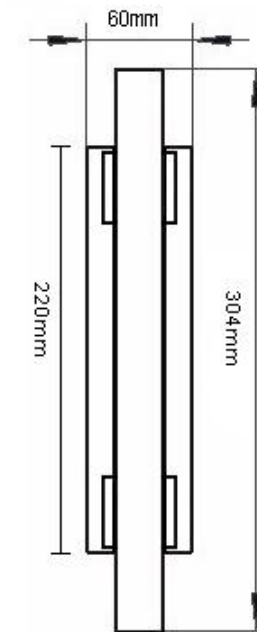


Square Barn Door Handle In Stainless Steel



Product Item: TP-021-SQ

- Specifications:
1. 304mm Length or customized
 2. Main Material : **Stainless Steel**
 3. Door Thickness: 40-45mm
 4. Net Weight: 1040g



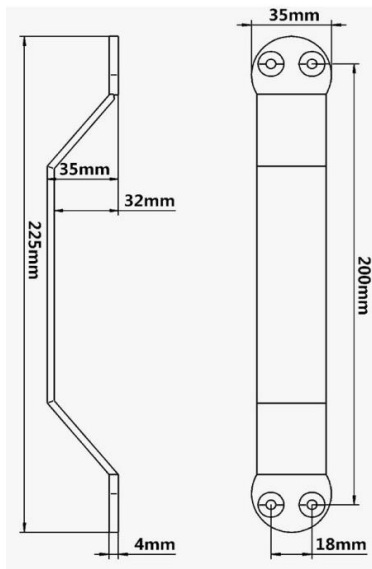
W-1040g

Sliding Barn Door Handle



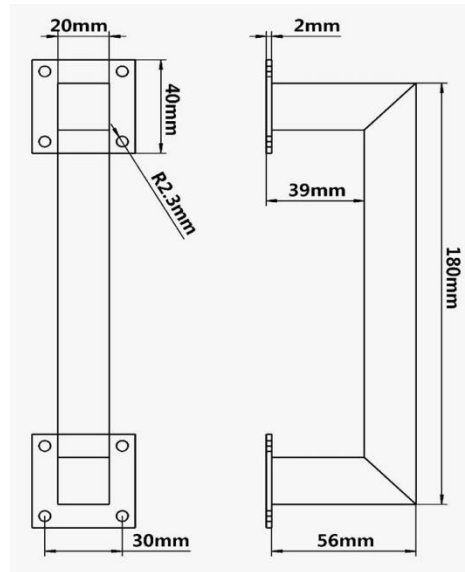
Product Item: TPS-005

- Specifications:
1. Size: 225x35x35Hmm
 2. Main Material :Carbon Steel
 3. Door Thickness: 40-45mm
 4. Net Weight: 248.4g



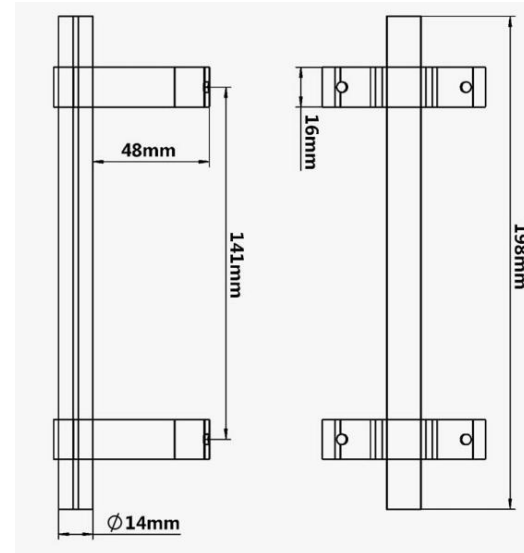
Product Item: TPS-006

- Specifications:
1. Size: 180x40x36Hmm
 2. Main Material :Carbon Steel
 3. Door Thickness: 40-45mm
 4. Net Weight: 189.6g



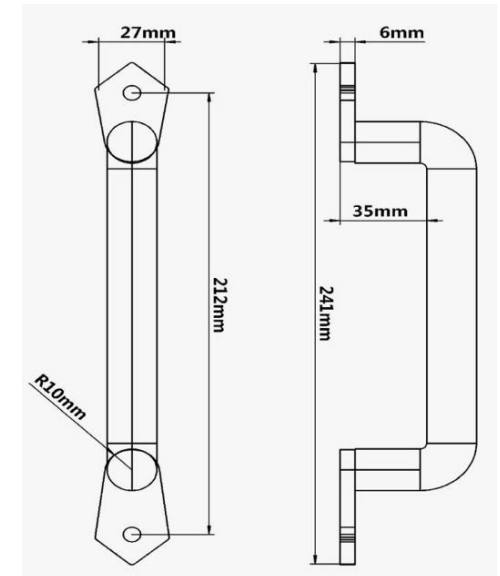
Product Item: TPS-007

- Specifications:
1. Size: 198x Dia14x48Hmm
 2. Main Material :Carbon Steel
 3. Door Thickness: 40-45mm
 4. Net Weight: 354g



Product Item: TPS-008

- Specifications:
1. Size: 241x27x35Hmm
 2. Main Material :Carbon Steel
 3. Door Thickness: 40-45mm
 4. Net Weight: 609.2g



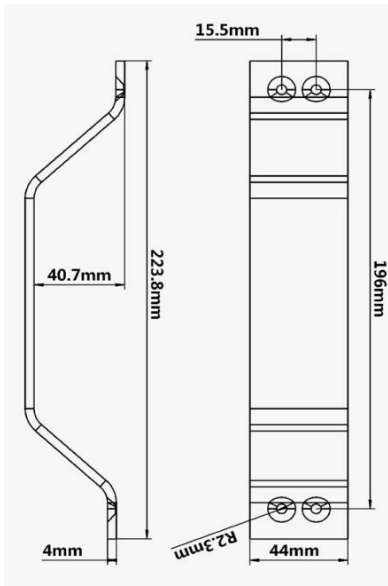
Sliding Barn Door Handle



Product Item: TPS-009

Specifications:

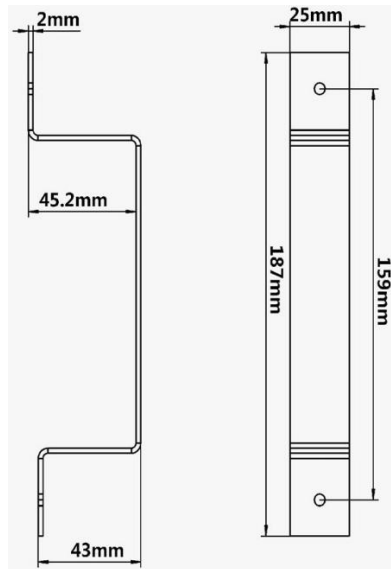
- 1. Size: 196x44x40.7Hmm
- 2. Main Material :Carbon Steel
- 3. Door Thickness:40-45mm
- 4. Net Weight: 255.8g



Product Item: TPS-010

Specifications:

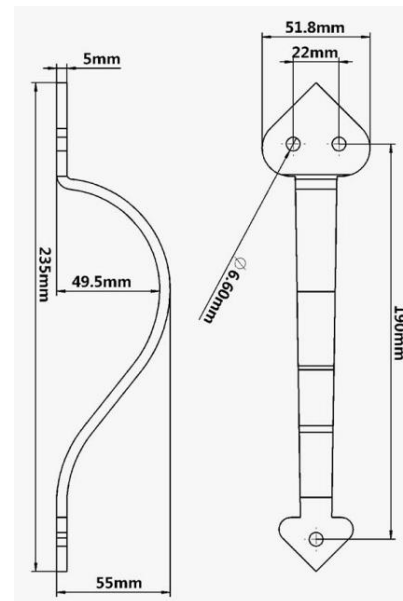
- 1. Size: 187x25x45.2Hmm
- 2. Main Material : Carbon Steel
- 3. Door Thickness:40-45mm
- 4. Net Weight: 109g



Product Item: TPS-011

Specifications:

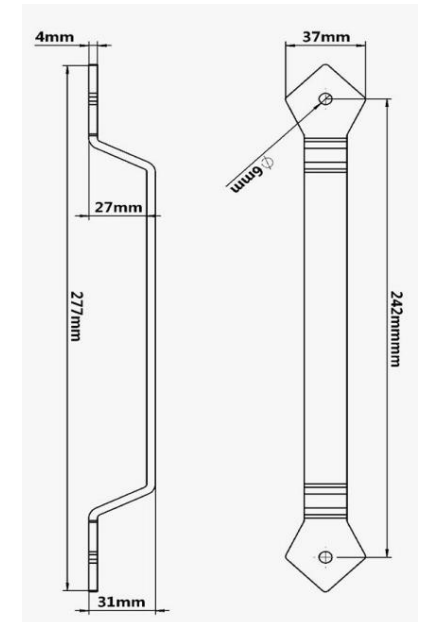
- 1. Size: 235x 51.8x49.5Hmm
- 2. Main Material :Carbon Steel
- 3. Door Thickness:40-45mm
- 4. Net Weight: 217g



Product Item: TPS-012

Specifications:

- 1. Size: 277x37x27Hmm
- 2. Main Material :Carbon Steel
- 3. Door Thickness:40-45mm
- 4. Net Weight: 206.8g



OTHER BARN DOOR ACCESSORIES

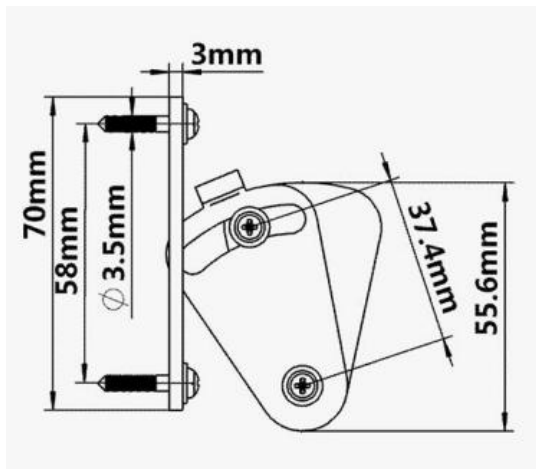
Barn Door Lock



Product Item: SRID-002

Specifications:

- 1.. Main Material : Carbon Steel
- 2.. Door Thickness:40-45mm
- 3.. Net Weight: 95g



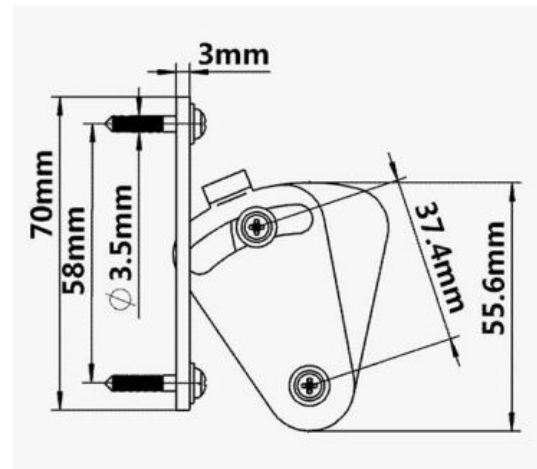
Barn Door Lock



Product Item: SRID-003

Specifications:

- 1.. Main Material : **StainlessSteel**
- 2.. Door Thickness:40-45mm
- 3.. Net Weight: 120g



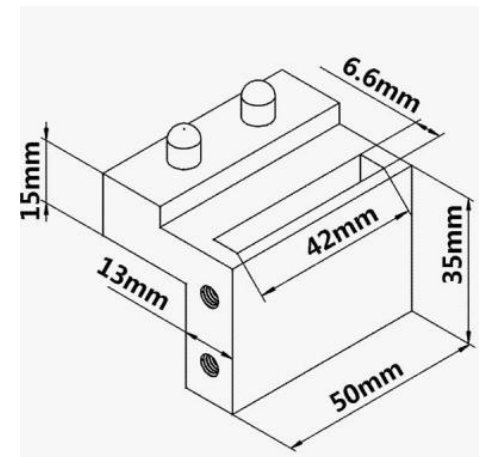
Barn Door Stopper



Product Item: SRID-005

Specifications:

- 1.. Main Material : **StainlessSteel**
- 2.. Door Thickness:40-45mm
- 3.. Net Weight: 340g



Barn Door Guide



Product Item: SRID-008

Specifications:

- 1.. Main Material : Carbon Steel
- 2.. Door Thickness:40-45mm
- 3.. Net Weight: 330g

