

# S.R.I hardware company limited

喜力达五金制品厂



**JM S.R.I Hardware** *Strong,Reliable,Innovative  
for your hardware*

**JM S.R.I Hardware** *Strong,Reliable,Innovative  
for your hardware*



Add:Longbang Industry Area,Pengjiang district,Jiangmen,Guangdong,China  
Office add :Jianxing Industry Area,Jianghaidistrict,Jiangmen,Guangdong,China  
Tel:0750-3813786 Fax:0750-3837167  
Cell:0086-13318648358  
E-mail:david@jmsrihardware.com / s.r.ihardware@hotmail.com  
Website: <http://www.jmsrihardware.com>



# Company Introductions

## 企业简介

S.R.I hardware is a manufacturer of door hardware and furniture hardware with well-equipped testing facilities and strong technical force. With a wide range, good quality, reasonable prices and stylish designs, our products are extensively used in decorate and other industries.

S.R.I hardware company limited adopts the modern enterprise management, engages senior technical, professional designers and experienced salesmen we offer clients full range service from product design-tooling development –precision machining –finishing polish-assembly and package. We insist in using superior material and accessory making perfection more perfect. What's more, we execute QC procedure strictly. Just because of mentioned above our product are sold well to Asia pacific, European Union and America, Plus, OEM for lots of famous brands. Our products are widely recognized and trusted by users and can meet continuously changing economic and social needs.

We welcome new and old customers from all walks of life to contact us for future business relationships and mutual success!



For more detail, please visit:

<http://www.jmsrihardware.com>

## TUBE LEVER HANDLE SERIES



### TH-001



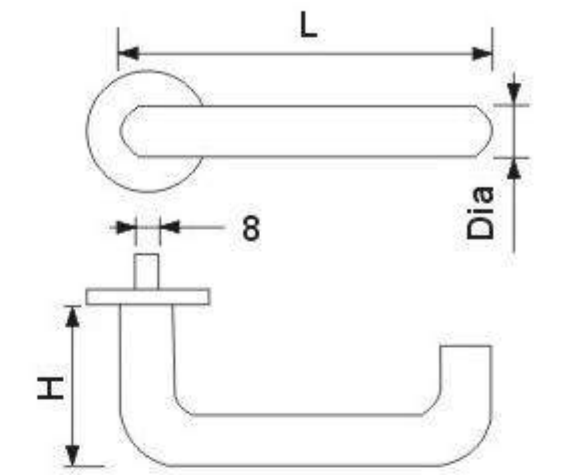
#### Stainless steel tube lever handle

Material: Stainless steel(S/S 201, S/S 304, S/S 316)  
Finish: SSS,PSS,PVD(satin PVD/polish PVD),AB,AC

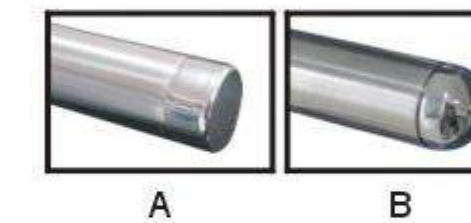
#### 不銹鋼管拉手

材質：不銹鋼 (S/S 201, S/S 304, S/S 316)  
表面處理：磨砂，鏡光，PVD (磨砂PVD/鏡光PVD)，  
青古銅，紅古銅

Length	130	135	140	145
Height	50	55	60	65
Diameter	Φ 16	Φ 19	Φ 20	Φ 22



### TH-002



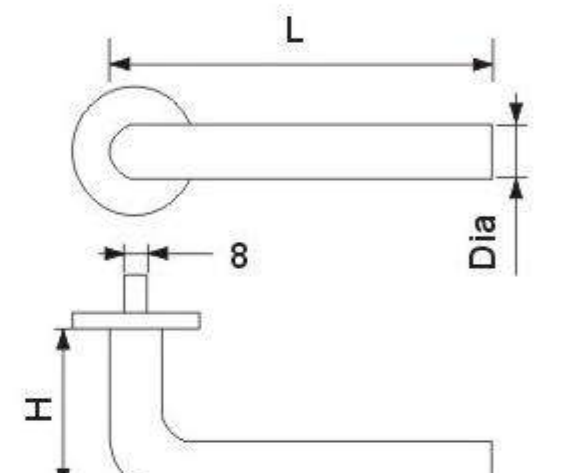
#### Stainless steel tube lever handle

Material: Stainless steel(S/S 201, S/S 304, S/S 316)  
Finish: SSS,PSS,PVD(satin PVD/polish PVD),AB,AC

#### 不銹鋼管拉手

材質：不銹鋼 (S/S 201, S/S 304, S/S 316)  
表面處理：磨砂，鏡光，PVD (磨砂PVD/鏡光PVD)，  
青古銅，紅古銅

Length	130	135	140	145
Height	50	55	60	65
Diameter	Φ 16	Φ 19	Φ 20	Φ 22



### TH-003



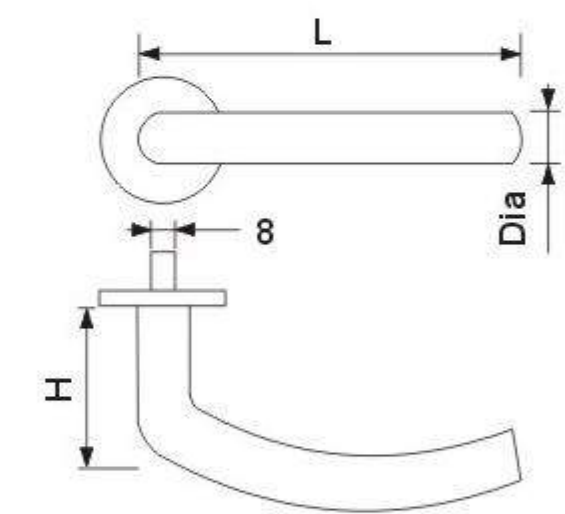
#### Stainless steel tube lever handle

Material: Stainless steel(S/S 201, S/S 304, S/S 316)  
Finish: SSS,PSS,PVD(satin PVD/polish PVD),AB,AC

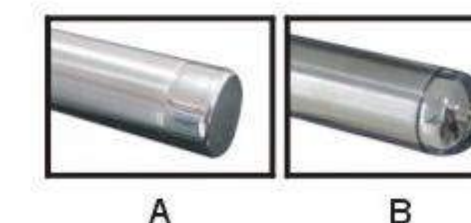
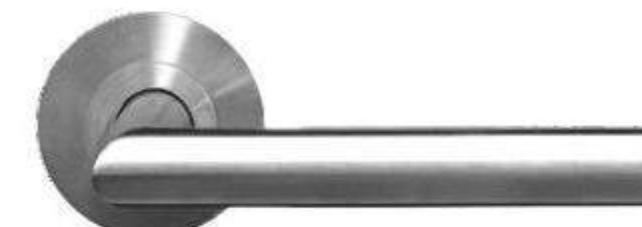
#### 不銹鋼管拉手

材質：不銹鋼 (S/S 201, S/S 304, S/S 316)  
表面處理：磨砂，鏡光，PVD (磨砂PVD/鏡光PVD)，  
青古銅，紅古銅

Length	130	135	140
Height	50	55	60
Diameter	Φ 19		



### TH-004



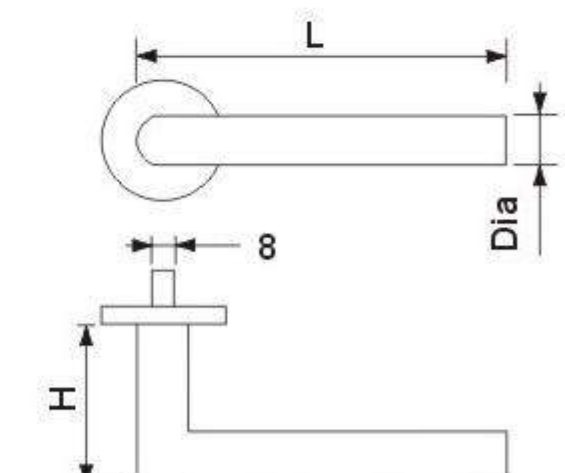
#### Stainless steel tube lever handle

Material: Stainless steel(S/S 201, S/S 304, S/S 316)  
Finish: SSS,PSS,PVD(satin PVD/polish PVD),AB,AC

#### 不銹鋼管拉手

材質：不銹鋼 (S/S 201, S/S 304, S/S 316)  
表面處理：磨砂，鏡光，PVD (磨砂PVD/鏡光PVD)，  
青古銅，紅古銅

Length	130	135	140	145
Height	50	55	60	65
Diameter	Φ 16	Φ 19	Φ 20	Φ 22



### TH-005



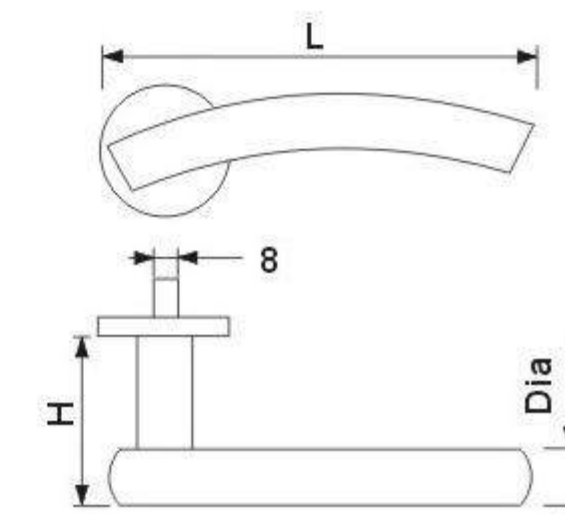
#### Stainless steel tube lever handle

Material: Stainless steel(S/S 201, S/S 304, S/S 316)  
Finish: SSS,PSS,PVD(satin PVD/polish PVD),AB,AC

#### 不銹鋼管拉手

材質：不銹鋼 (S/S 201, S/S 304, S/S 316)  
表面處理：磨砂，鏡光，PVD (磨砂PVD/鏡光PVD)，  
青古銅，紅古銅

Length	130	135	140
Height	50	55	60
Diameter	Φ 19		





**TH-006**



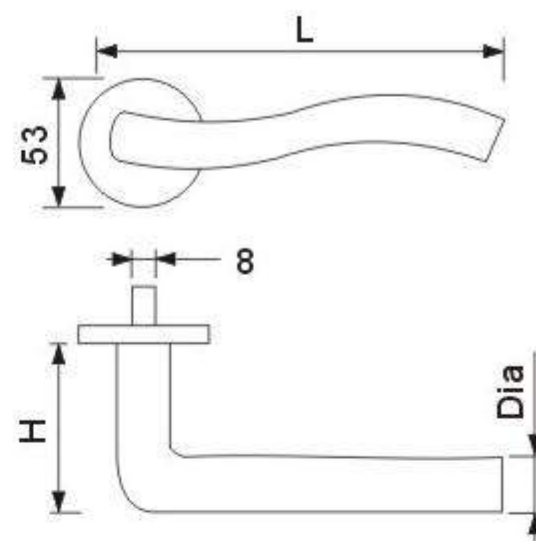
**Stainless steel tube lever handle**

Material: Stainless steel(S/S 201, S/S 304, S/S 316)  
Finish: SSS,PSS,PVD(satin PVD/polish PVD),AB,AC

**不銹鋼管拉手**

材質：不銹鋼 ( S/S 201, S/S 304, S/S 316 )  
表面處理：磨砂，鏡光，PVD ( 磨砂PVD/鏡光PVD )，  
青古銅，紅古銅

Length	130	135	140
Height	50	55	60
Diameter	Φ 19		



**TH-007**



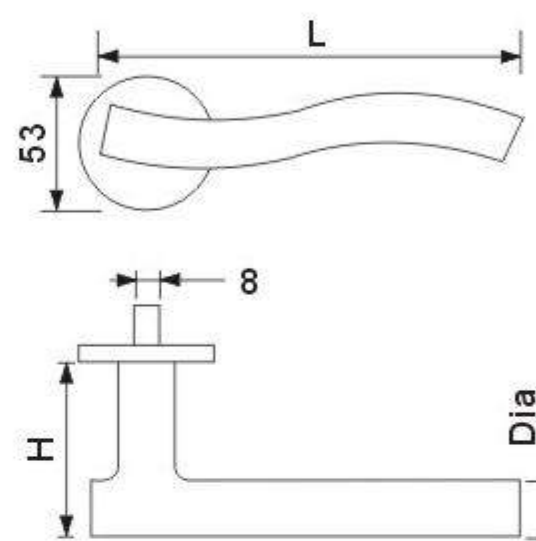
**Stainless steel tube lever handle**

Material: Stainless steel(S/S 201, S/S 304, S/S 316)  
Finish: SSS,PSS,PVD(satin PVD/polish PVD),AB,AC

**不銹鋼管拉手**

材質：不銹鋼 ( S/S 201, S/S 304, S/S 316 )  
表面處理：磨砂，鏡光，PVD ( 磨砂PVD/鏡光PVD )，  
青古銅，紅古銅

Length	130	135	140
Height	50	55	60
Diameter	Φ 19		



**TH-008**



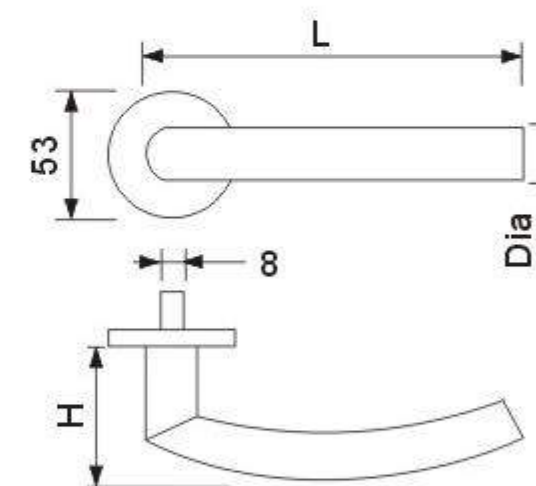
**Stainless steel tube lever handle**

Material: Stainless steel(S/S 201, S/S 304, S/S 316)  
Finish: SSS,PSS,PVD(satin PVD/polish PVD),AB,AC

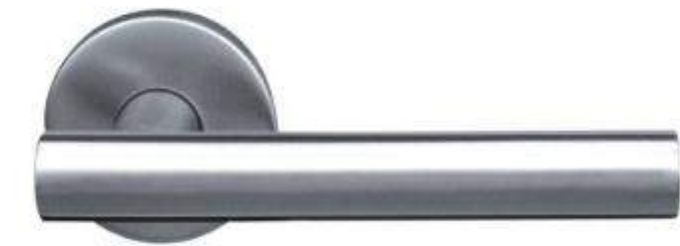
**不銹鋼管拉手**

材質：不銹鋼 ( S/S 201, S/S 304, S/S 316 )  
表面處理：磨砂，鏡光，PVD ( 磨砂PVD/鏡光PVD )，  
青古銅，紅古銅

Length	130	135	140	145
Height	50	55	60	65
Diameter	22x16		23x13	



**TH-009**



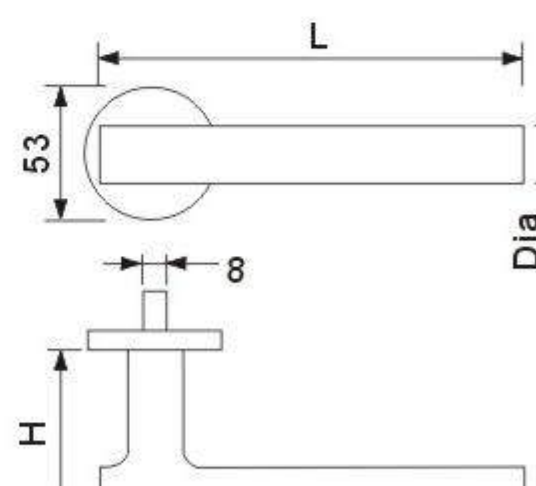
**Stainless steel tube lever handle**

Material: Stainless steel(S/S 201, S/S 304, S/S 316)  
Finish: SSS,PSS,PVD(satin PVD/polish PVD),AB,AC

**不銹鋼管拉手**

材質：不銹鋼 ( S/S 201, S/S 304, S/S 316 )  
表面處理：磨砂，鏡光，PVD ( 磨砂PVD/鏡光PVD )，  
青古銅，紅古銅

Length	130	135	140	145
Height	50	55	60	65
Diameter	Φ 16	Φ 19	Φ 20	Φ 22



**TH-010**



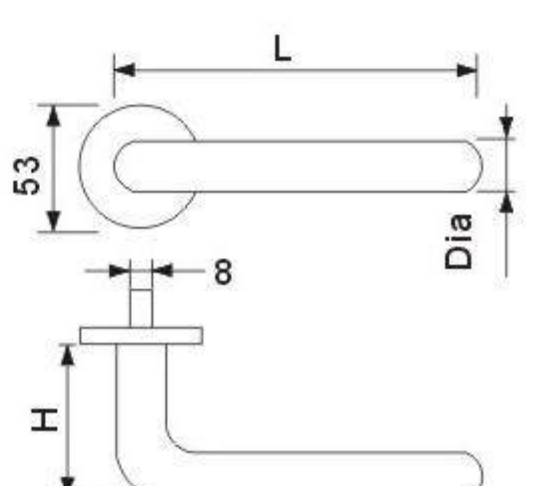
**Stainless steel tube lever handle (Round end)**

Material: Stainless steel(S/S 201, S/S 304, S/S 316)  
Finish: SSS,PSS,PVD(satin PVD/polish PVD),AB,AC

**不銹鋼圓尾管拉手**

材質：不銹鋼 ( S/S 201, S/S 304, S/S 316 )  
表面處理：磨砂，鏡光，PVD ( 磨砂PVD/鏡光PVD )，  
青古銅，紅古銅

Length	130	135	140	145
Height	50	55	60	65
Diameter	Φ 16	Φ 19	Φ 20	Φ 22



**TH-011**



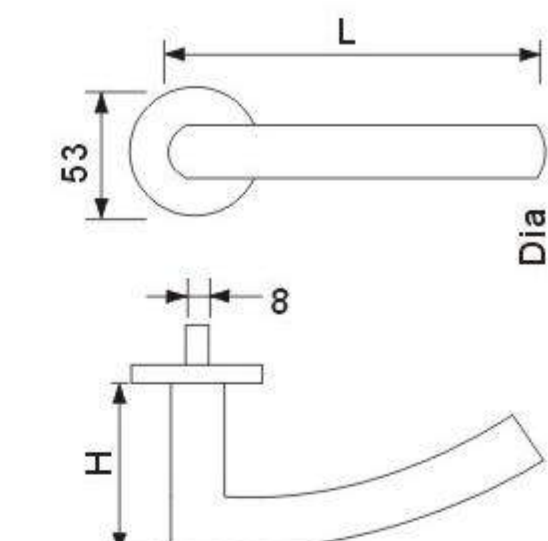
**Stainless steel tube lever handle**

Material: Stainless steel(S/S 201, S/S 304, S/S 316)  
Finish: SSS,PSS,PVD(satin PVD/polish PVD),AB,AC

**不銹鋼管拉手**

材質：不銹鋼 ( S/S 201, S/S 304, S/S 316 )  
表面處理：磨砂，鏡光，PVD ( 磨砂PVD/鏡光PVD )，  
青古銅，紅古銅

Length	130	135	140	145
Height	50	55	60	65
Diameter	Φ 16	Φ 19	Φ 20	Φ 22



**TH-012**



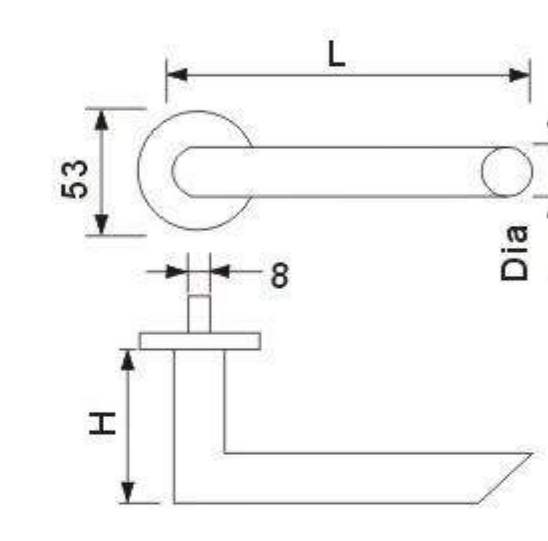
**Stainless steel tube lever handle (Decline end)**

Material: Stainless steel(S/S 201, S/S 304, S/S 316)  
Finish: SSS,PSS,PVD(satin PVD/polish PVD),AB,AC

**不銹鋼斜尾管拉手**

材質：不銹鋼 ( S/S 201, S/S 304, S/S 316 )  
表面處理：磨砂，鏡光，PVD ( 磨砂PVD/鏡光PVD )，  
青古銅，紅古銅

Length	130	135	140	145
Height	50	55	60	65
Diameter	Φ 16	Φ 19	Φ 20	Φ 22



**TH-013**



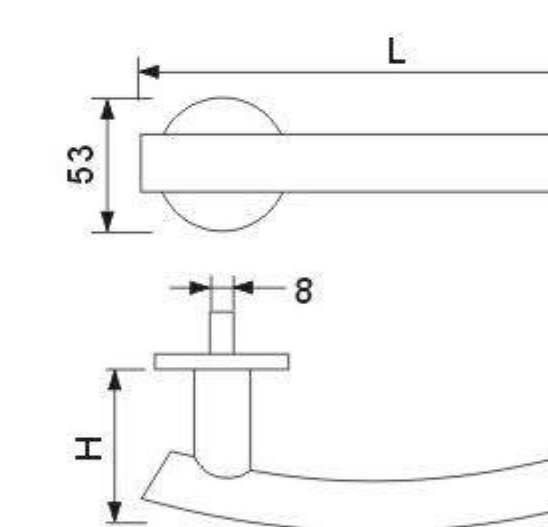
**Stainless steel tube lever handle**

Material: Stainless steel(S/S 201, S/S 304, S/S 316)  
Finish: SSS,PSS,PVD(satin PVD/polish PVD),AB,AC

**不銹鋼管拉手**

材質：不銹鋼 ( S/S 201, S/S 304, S/S 316 )  
表面處理：磨砂，鏡光，PVD ( 磨砂PVD/鏡光PVD )，  
青古銅，紅古銅

Length	130	135	140
Height	50	55	60
Diameter	Φ 19		



**TH-014**



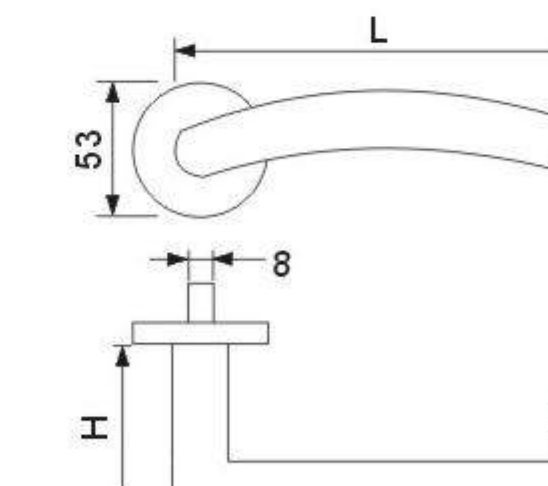
**Stainless steel tube lever handle**

Material: Stainless steel(S/S 201, S/S 304, S/S 316)  
Finish: SSS,PSS,PVD(satin PVD/polish PVD),AB,AC

**不銹鋼管拉手**

材質：不銹鋼 ( S/S 201, S/S 304, S/S 316 )  
表面處理：磨砂，鏡光，PVD ( 磨砂PVD/鏡光PVD )，  
青古銅，紅古銅

Length	130	135	140
Height	50	55	60
Diameter	Φ 19		



**TH-015**



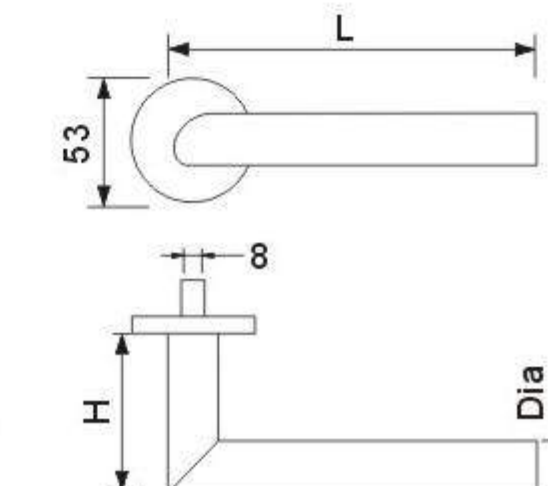
**Stainless steel tube lever handle**

Material: Stainless steel(S/S 201, S/S 304, S/S 316)  
Finish: SSS,PSS,PVD(satin PVD/polish PVD),AB,AC

**不銹鋼管拉手**

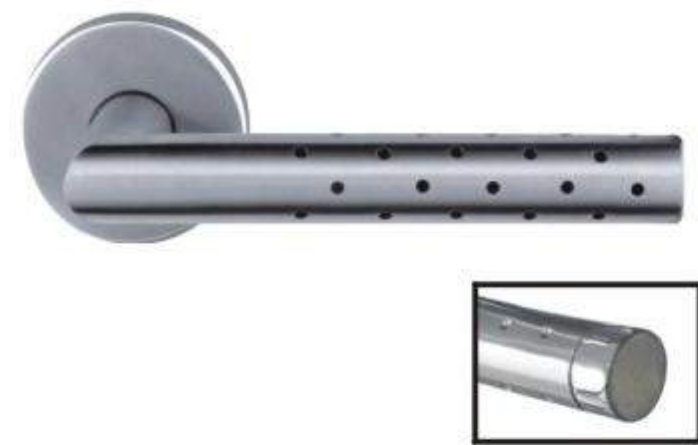
材質：不銹鋼 ( S/S 201, S/S 304, S/S 316 )  
表面處理：磨砂，鏡光，PVD ( 磨砂PVD/鏡光PVD )，  
青古銅，紅古銅

Length	130	135	140	145
Height	50	55	60	65
Diameter	10x20	17x21	13x23	





**TH-016**



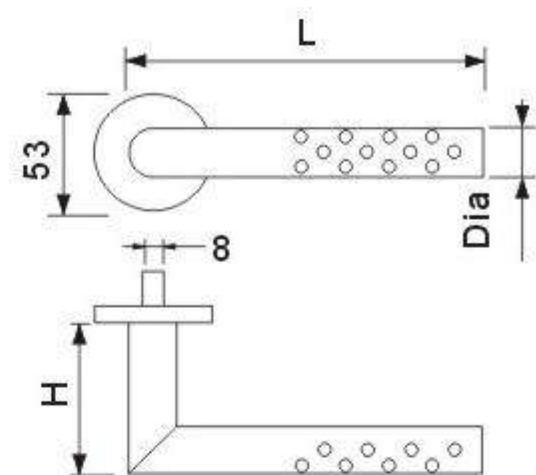
**Stainless steel tube lever handle**

Material: Stainless steel(S/S 201, S/S 304, S/S 316)  
Finish: SSS,PSS,PVD(satin PVD/polish PVD),AB,AC

**不銹鋼管拉手**

材質：不銹鋼 ( S/S 201, S/S 304, S/S 316 )  
表面處理：磨砂，鏡光，PVD ( 磨砂PVD/鏡光PVD )，  
青古銅，紅古銅

Length	130	135	140	145
Height	50	55	60	65
Diameter	Φ 16	Φ 19	Φ 20	Φ 22



**TH-017**



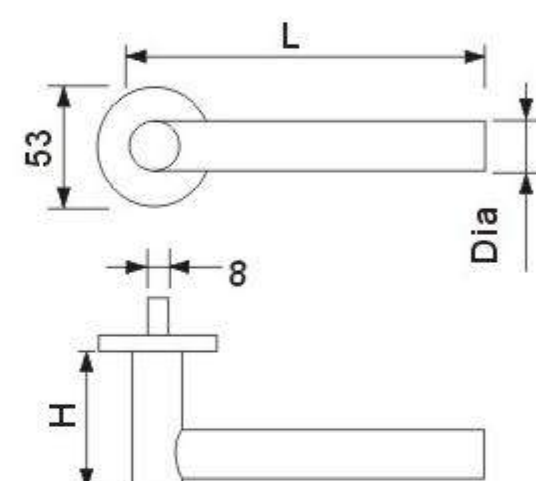
**Stainless steel tube lever handle**

Material: Stainless steel(S/S 201, S/S 304, S/S 316)  
Finish: SSS,PSS,PVD(satin PVD/polish PVD),AB,AC

**不銹鋼管拉手**

材質：不銹鋼 ( S/S 201, S/S 304, S/S 316 )  
表面處理：磨砂，鏡光，PVD ( 磨砂PVD/鏡光PVD )，  
青古銅，紅古銅

Length	130	135	140	145
Height	50	55	60	65
Diameter	Φ 16	Φ 19	Φ 20	Φ 22



**TH-018**



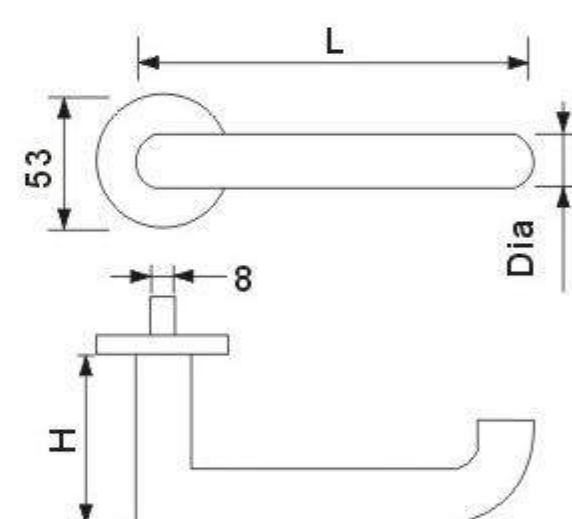
**Stainless steel tube lever handle**

Material: Stainless steel(S/S 201, S/S 304, S/S 316)  
Finish: SSS,PSS,PVD(satin PVD/polish PVD),AB,AC

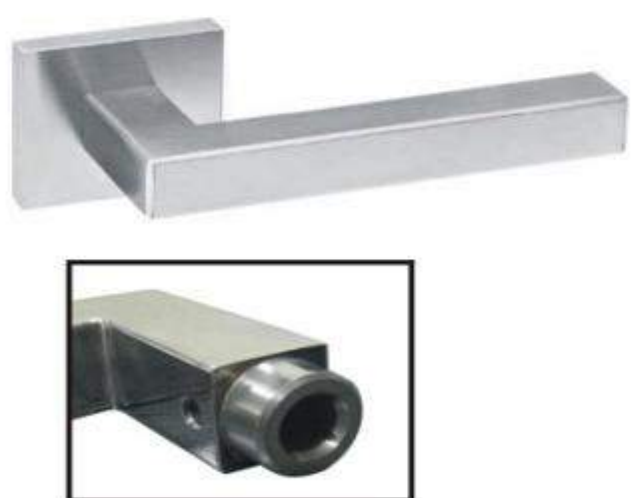
**不銹鋼管拉手**

材質：不銹鋼 ( S/S 201, S/S 304, S/S 316 )  
表面處理：磨砂，鏡光，PVD ( 磨砂PVD/鏡光PVD )，  
青古銅，紅古銅

Length	130	135	140	145
Height	50	55	60	65
Diameter	Φ 16	Φ 19	Φ 20	Φ 22



**TH-019**

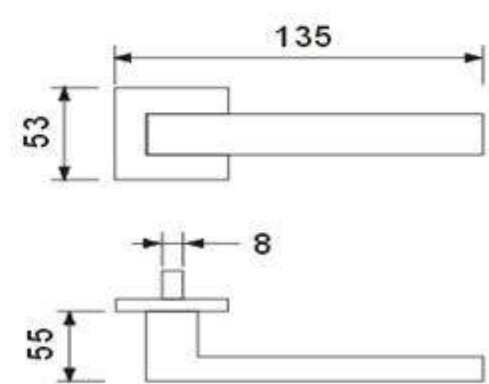


**Stainless steel tube lever handle**

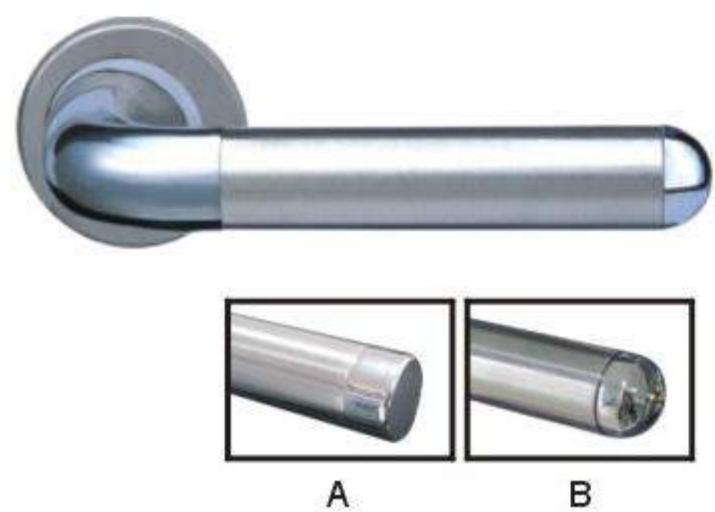
Material: Stainless steel(S/S 201, S/S 304, S/S 316)  
Finish: SSS,PSS,PVD(satin PVD/polish PVD),AB,AC  
Dimension: □ 16x16/ 19x19/ 20x20/ 22x22  
□ 10x20/ 10x25/ 13x25

**不銹鋼管拉手**

材質：不銹鋼 ( S/S 201, S/S 304, S/S 316 )  
表面處理：磨砂，鏡光，PVD ( 磨砂PVD/鏡光PVD )，  
青古銅，紅古銅  
尺寸：□ 16x16/ 19x19/ 20x20/ 22x22  
□ 10x20/ 10x25/ 13x25



**TH-020**



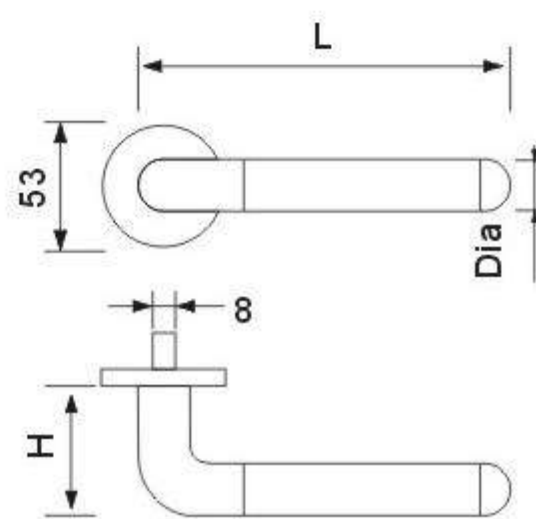
**Stainless steel tube lever handle**

Material: Stainless steel(S/S 201, S/S 304, S/S 316)  
Finish: SSS&PSS,PVD(satin PVD/polish PVD),AB,AC

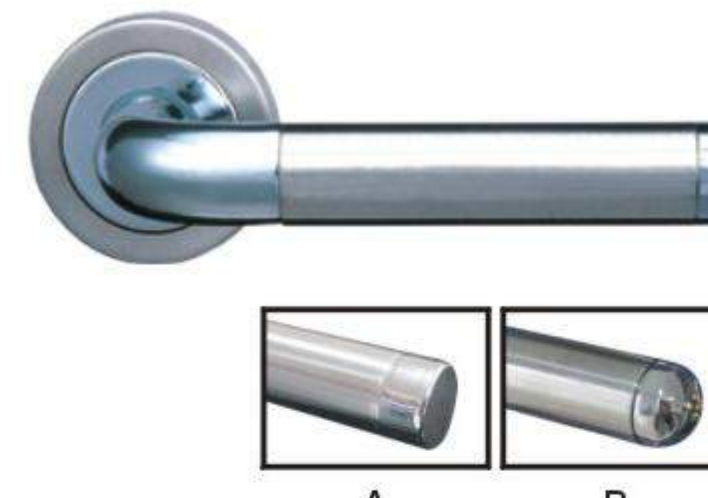
**不銹鋼管拉手**

材質：不銹鋼 ( S/S 201, S/S 304, S/S 316 )  
表面處理：磨砂鏡光，PVD ( 磨砂PVD/鏡光PVD )，  
青古銅，紅古銅

Length	130	135	140	145
Height	50	55	60	65
Diameter	Φ 16	Φ 19	Φ 20	Φ 22



**TH-021**



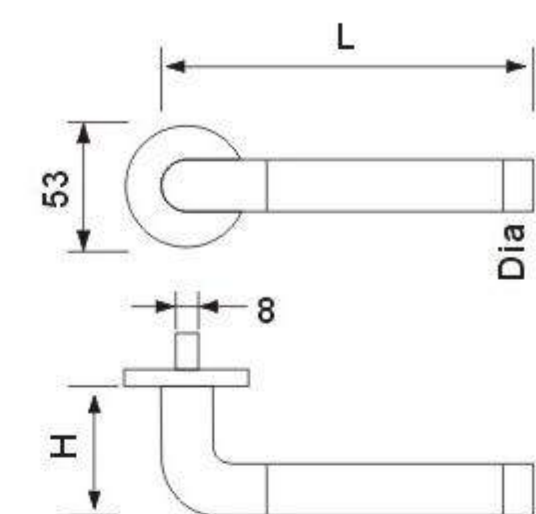
**Stainless steel tube lever handle**

Material: Stainless steel(S/S 201, S/S 304, S/S 316)  
Finish: SSS&PSS,PVD(satin PVD/polish PVD),AB,AC

**不銹鋼管拉手**

材質：不銹鋼 ( S/S 201, S/S 304, S/S 316 )  
表面處理：磨砂鏡光，PVD ( 磨砂PVD/鏡光PVD )，  
青古銅，紅古銅

Length	130	135	140	145
Height	50	55	60	65
Diameter	Φ 16	Φ 19	Φ 20	Φ 22



**TH-022**

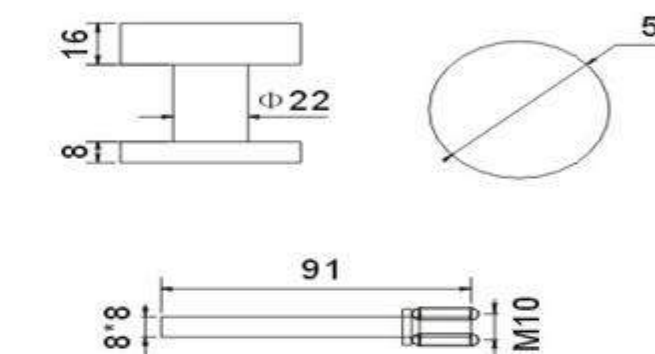


**Fixed door knob**

Material: Stainless steel(S/S 201, S/S304, S/S 316)  
Finish: SSS,PSS,PVD(satin PVD/polish PVD),AB,AC

**不銹鋼安全門外門揸手**

材質：不銹鋼 ( S/S 201, S/S 304, S/S 316 )  
表面處理：磨砂，鏡光，PVD ( 磨砂PVD/鏡光PVD )，  
青古銅，紅古銅



**TH-023**

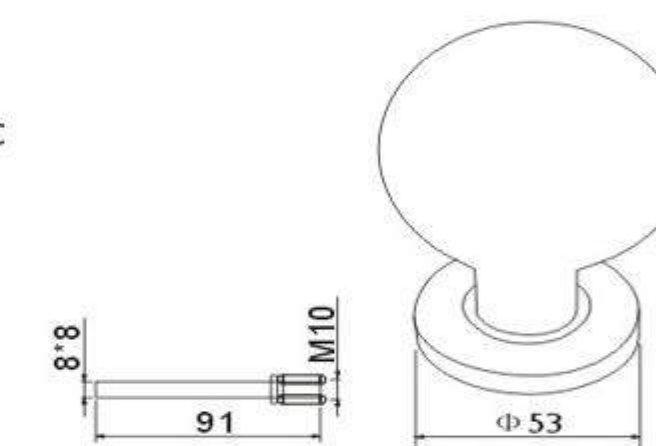


**Fixed door knob**

Material: Stainless steel(S/S 201, S/S304, S/S 316)  
Finish: SSS,PSS,PVD(satin PVD/polish PVD),AB,AC

**不銹鋼安全門外門揸手**

材質：不銹鋼 ( S/S 201, S/S 304, S/S 316 )  
表面處理：磨砂，鏡光，PVD ( 磨砂PVD/鏡光PVD )，  
青古銅，紅古銅



**TH-024**

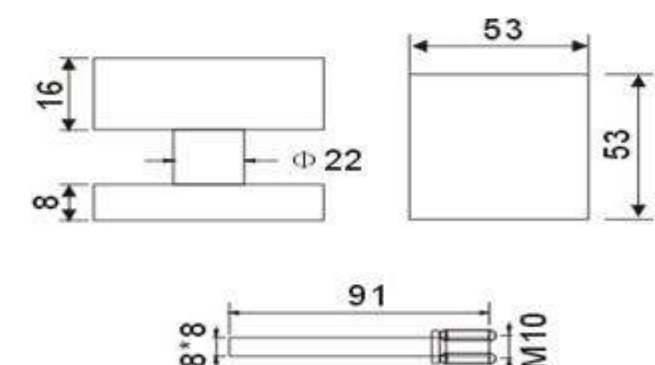


**Fixed door knob**

Material: Stainless steel(S/S 201, S/S304, S/S 316)  
Finish: SSS,PSS,PVD(satin PVD/polish PVD),AB,AC

**不銹鋼安全門外門揸手**

材質：不銹鋼 ( S/S 201, S/S 304, S/S 316 )  
表面處理：磨砂，鏡光，PVD ( 磨砂PVD/鏡光PVD )，  
青古銅，紅古銅



**TH-025**

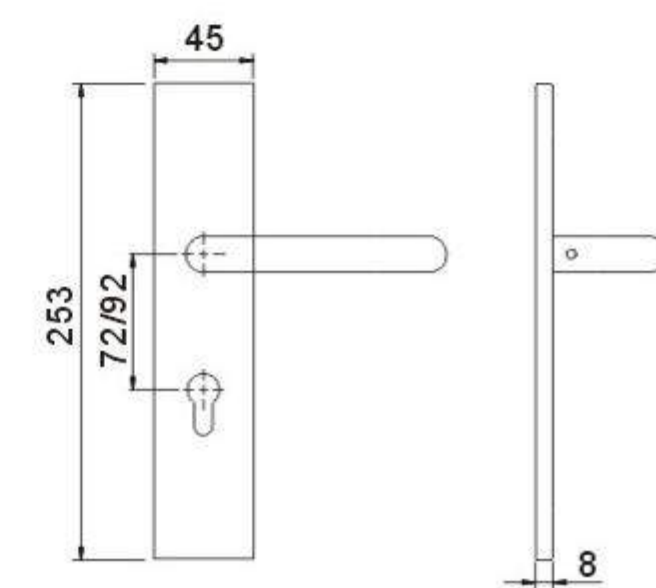


**European Lever Handle with Escutcheon Plate**

Material: Stainless steel(S/S 201, S/S304, S/S 316)  
Finish: SSS,PSS,PVD(satin PVD/polish PVD),AB,AC  
Dimension: 253x45x8 PZ/ZA/WC

**長面板管拉手**

材質：不銹鋼 ( S/S 201, S/S304, S/S 316 )  
表面處理：磨砂，鏡光，PVD ( 磨砂PVD/鏡光PVD )，  
青古銅，紅古銅  
尺寸：253x45x8 PZ/ZA/WC



TUBE LEVER HANDLE SERIES



TH-026

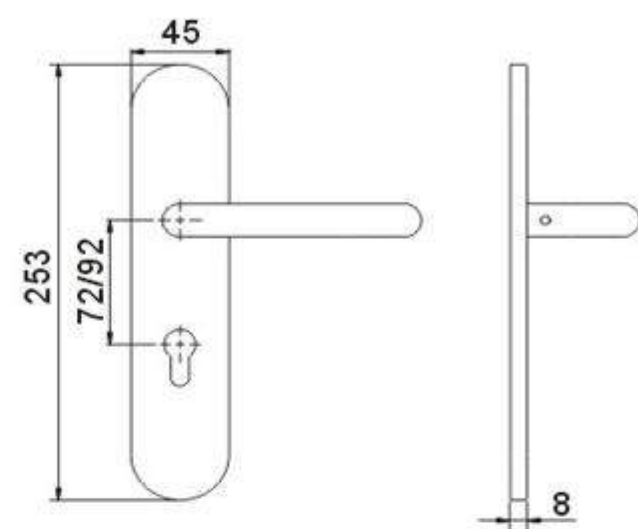


European Lever Handle with Escutcheon Plate

Material: Stainless steel(S/S 201, S/S304, S/S 316)  
 Finish: SSS,PSS,PVD(satin PVD/polish PVD),AB,AC  
 Dimension: 253x45x8 PZ/ZA/WC

長面板管拉手

材質: 不銹鋼(S/S 201, S/S304, S/S 316)  
 表面處理: 磨砂、鏡光、PVD ( 磨砂PVD/鏡光PVD )、  
 青古銅、紅古銅  
 尺寸: 253x45x8 PZ/ZA/WC



TH-027

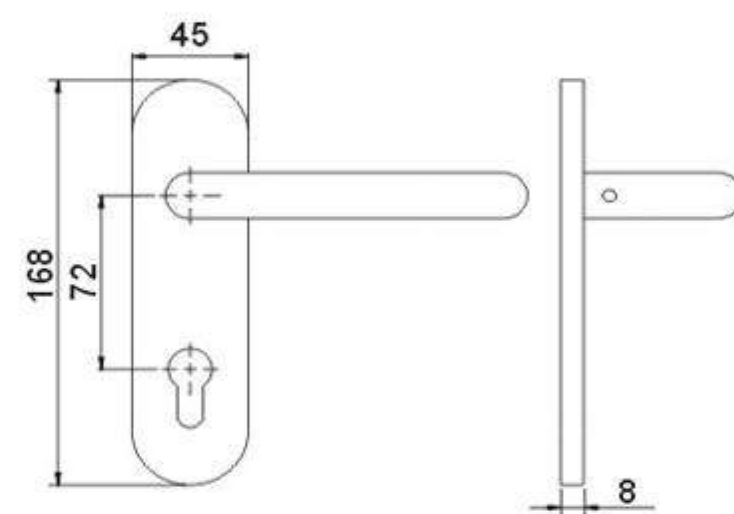


European Lever Handle with Escutcheon Plate

Material: Stainless steel(S/S 201, S/S304, S/S 316)  
 Finish: SSS,PSS,PVD(satin PVD/polish PVD),AB,AC  
 Dimension: 168x45x8

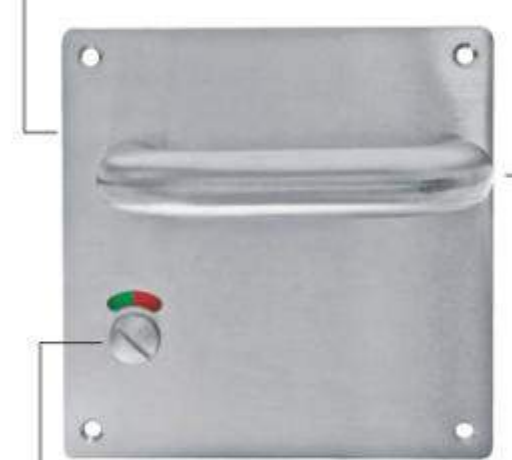
短面板管拉手

材質: 不銹鋼(S/S 201, S/S304, S/S 316)  
 表面處理: 磨砂、鏡光、PVD ( 磨砂PVD/鏡光PVD )、  
 青古銅、紅古銅  
 尺寸: 168x45x8



TH-028

Square back plate in 150x150mm, 160x160mm or 170x170mm



Stainless steel tube lever handle with 51mm C/C, 57mm C/C, 71mm C/C or 72mm C/C

Emergency release with red-green or red white indicator. Type with cylinder key hole is also available.

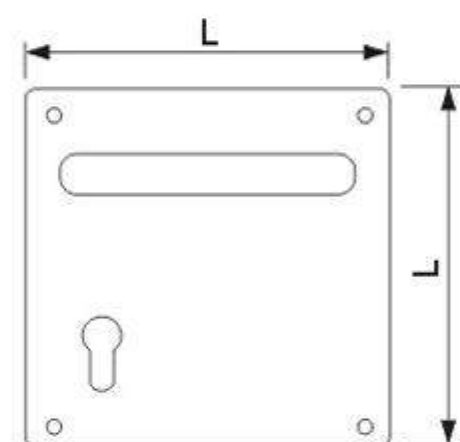


European Lever Handle with Escutcheon Plate

Material: Stainless steel(S/S 201, S/S304, S/S 316)  
 Finish: SSS,PSS,PVD(satin PVD/polish PVD),AB,AC

帶面板管拉手

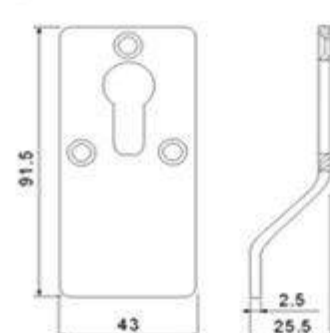
材質: 不銹鋼(S/S 201, S/S304, S/S 316)  
 表面處理: 磨砂、鏡光、PVD ( 磨砂PVD/鏡光PVD )、  
 青古銅、紅古銅



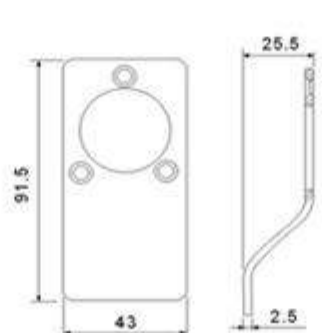
LXL	T
150X150	1.5. 2.0
170X170	PZ/WC
200X200	

ESCTCHEON HANDLE

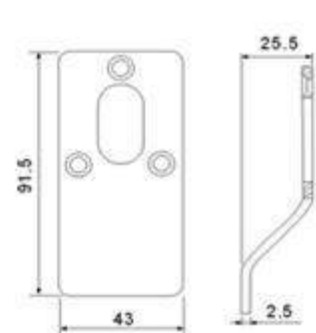
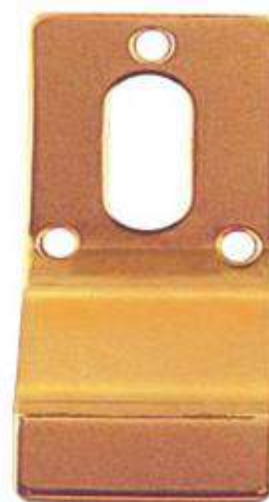
E-005



E-006



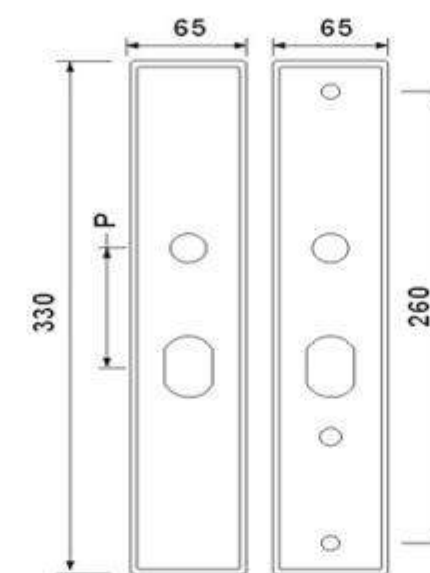
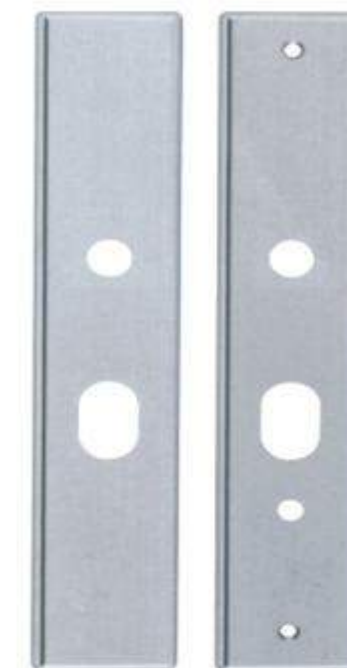
E-007



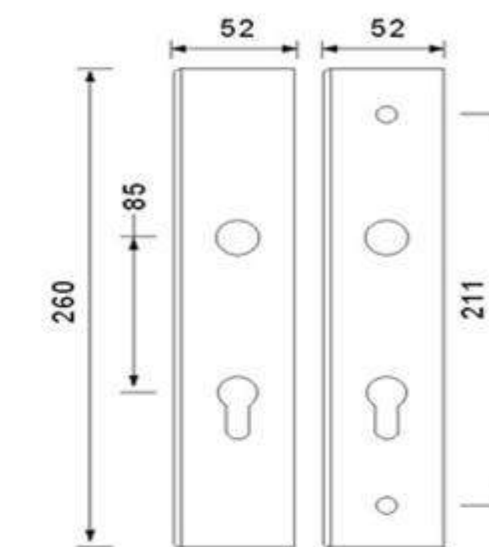
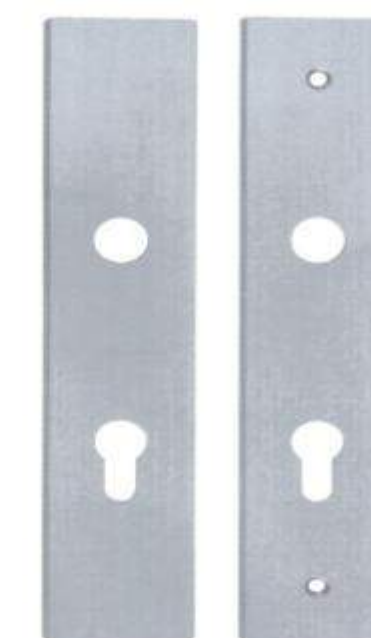
COVER PLATE HANDLE SERIES



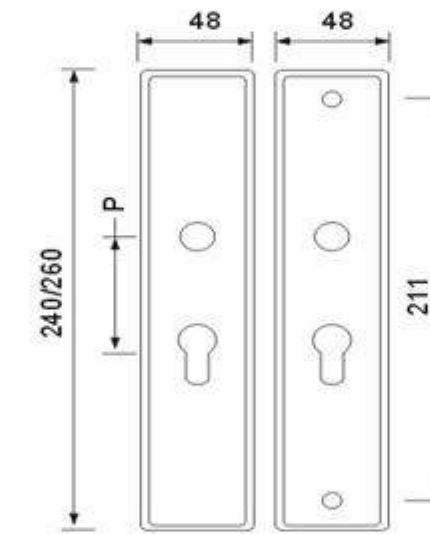
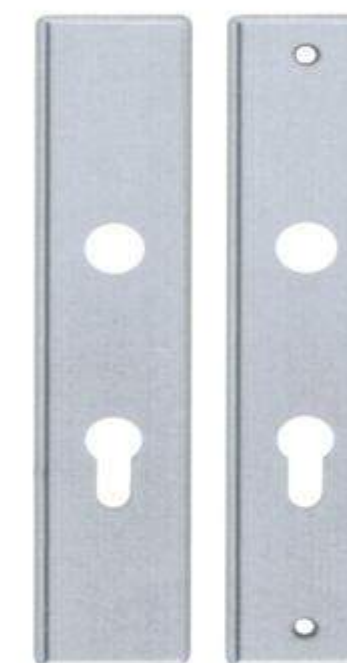
HP-001



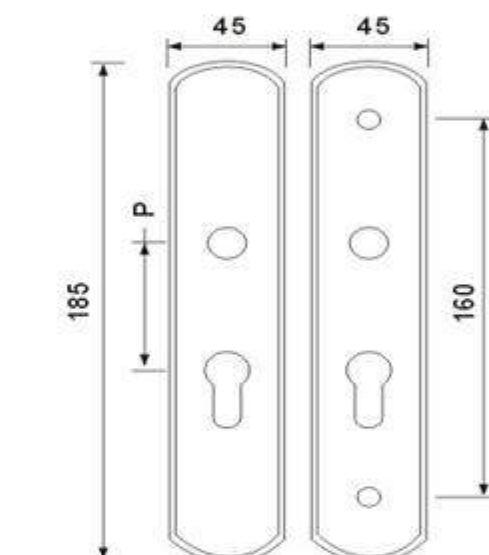
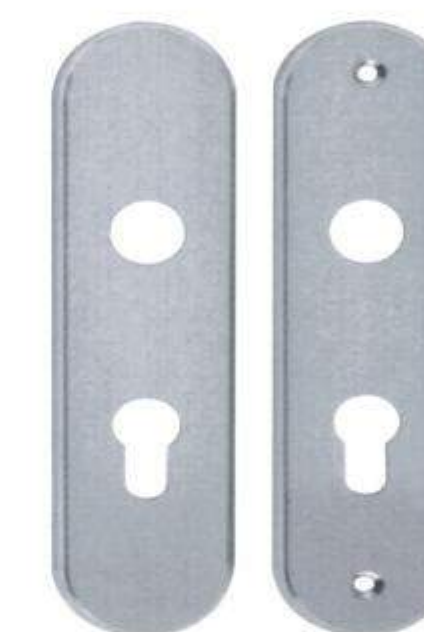
HP-002



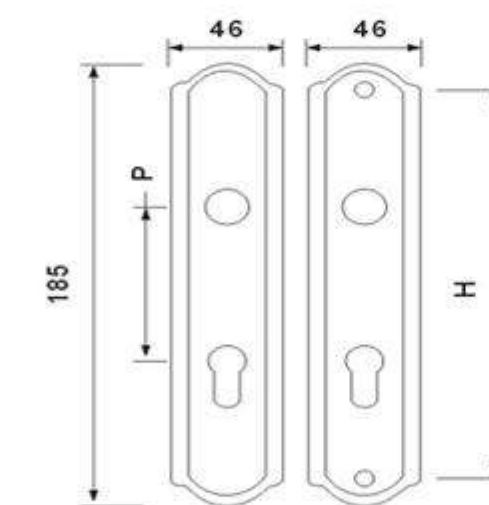
HP-003



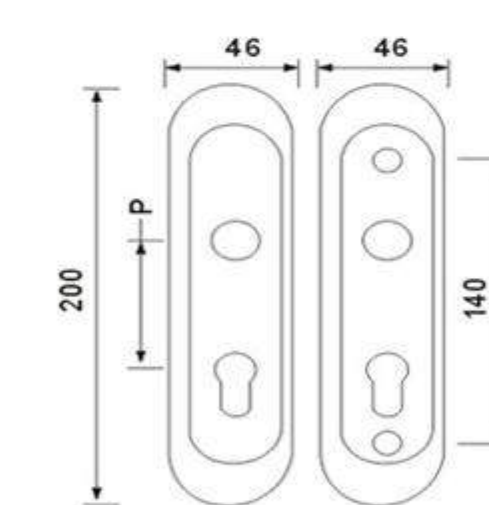
HP-004



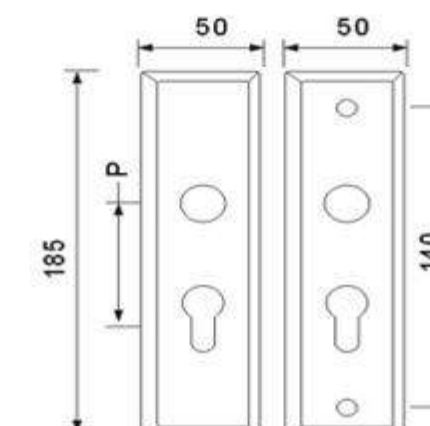
HP-005



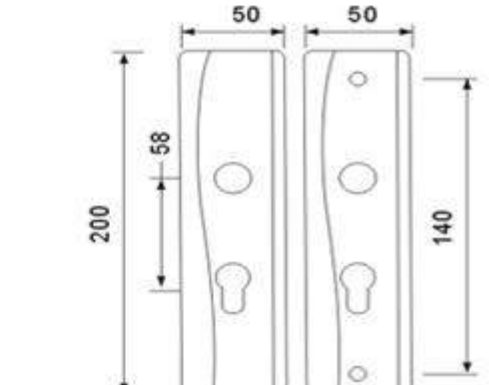
HP-006



HP-007

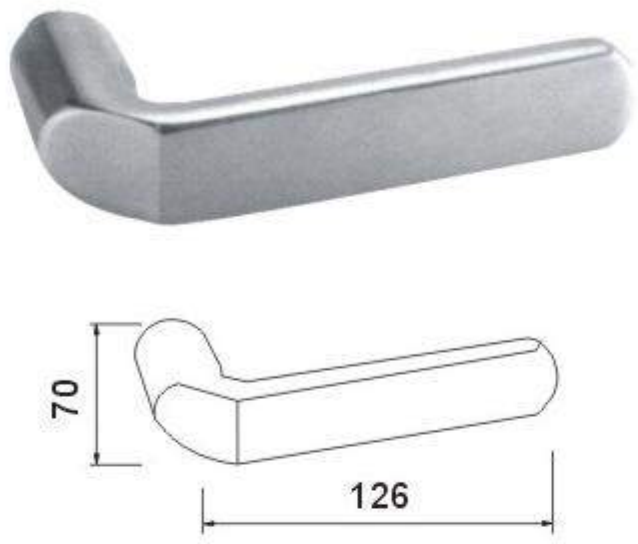


HP-008





H-02



H-07



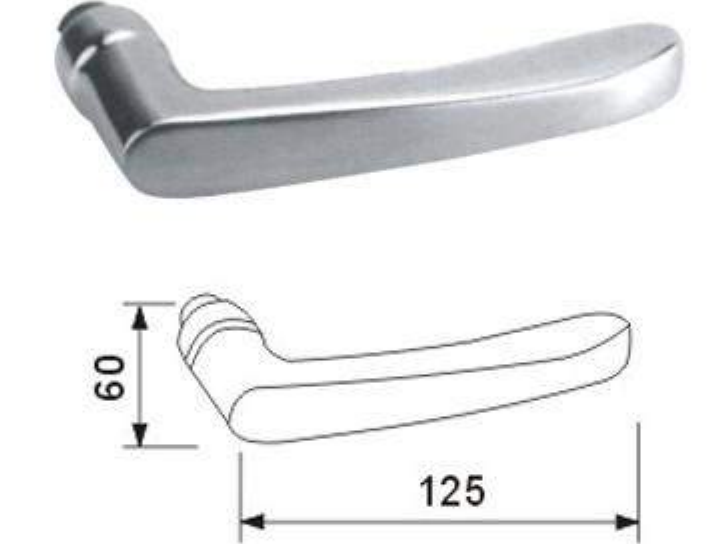
H-08



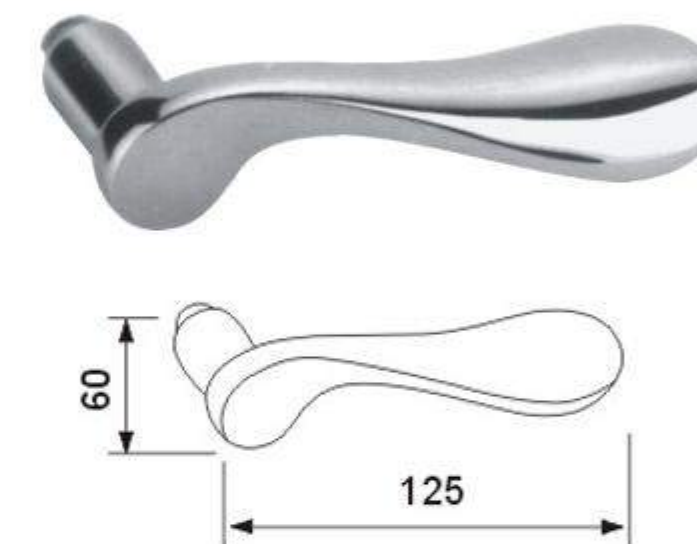
H-09



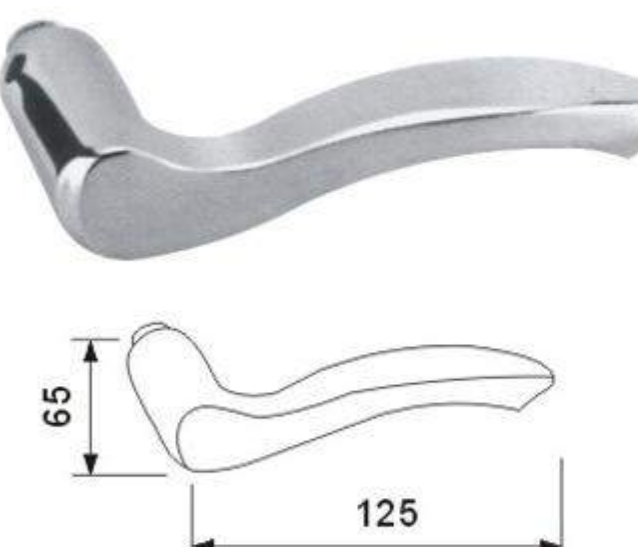
H-11



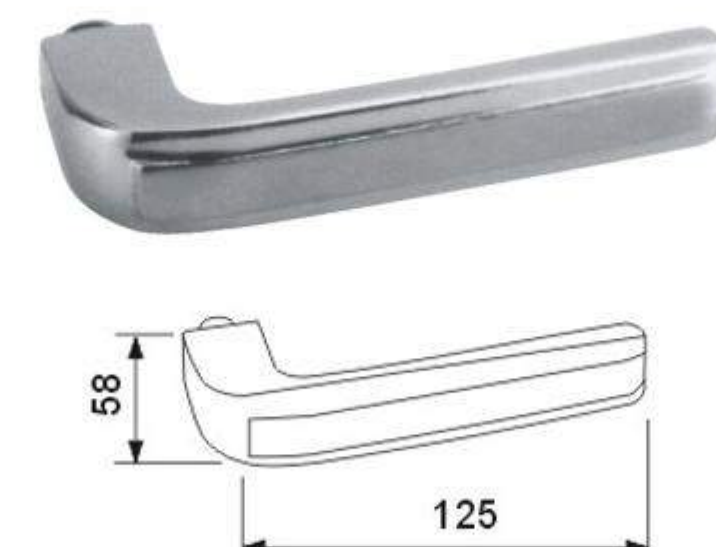
H-15



H-18



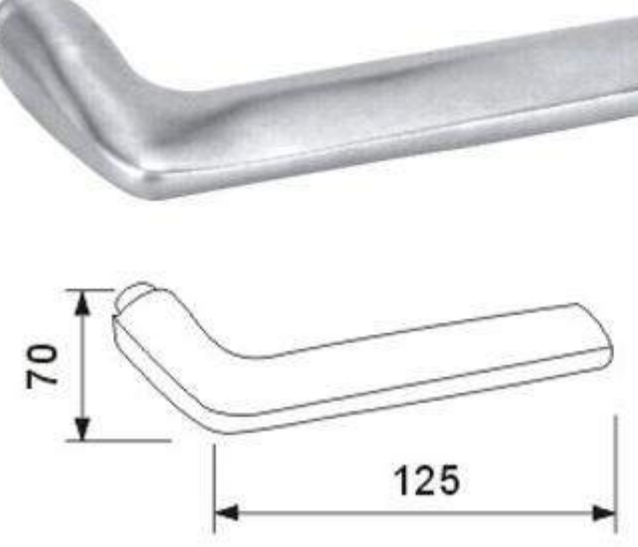
H-28



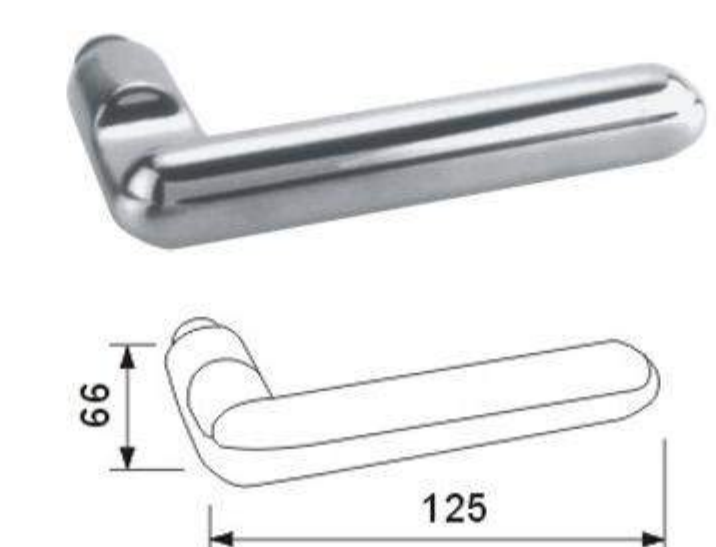
H-51



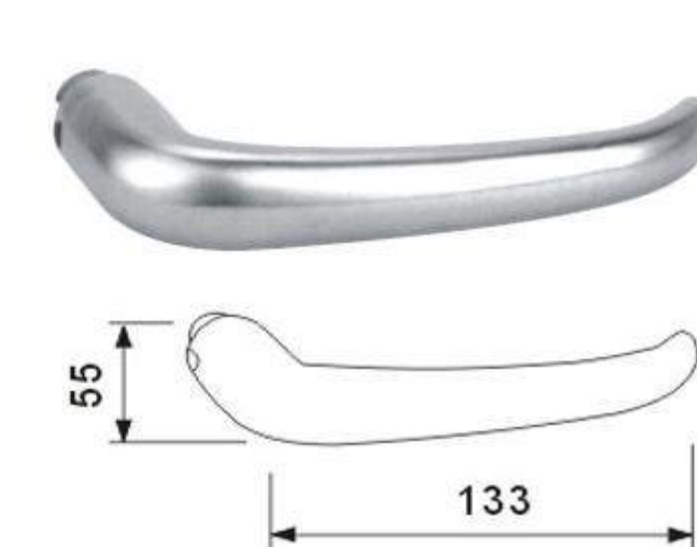
H-52



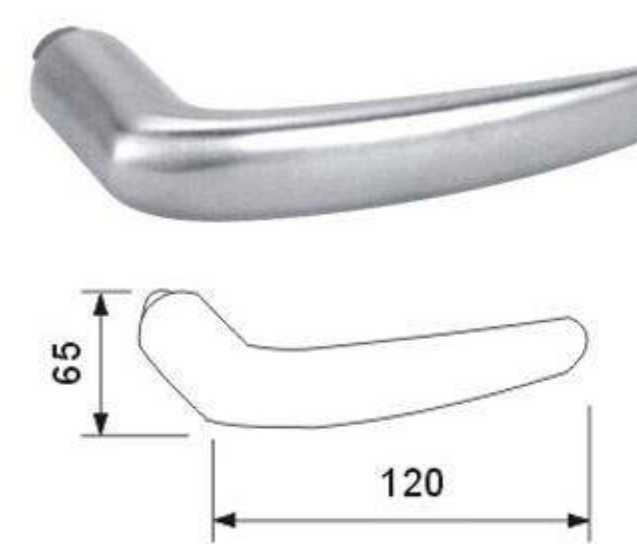
H-53



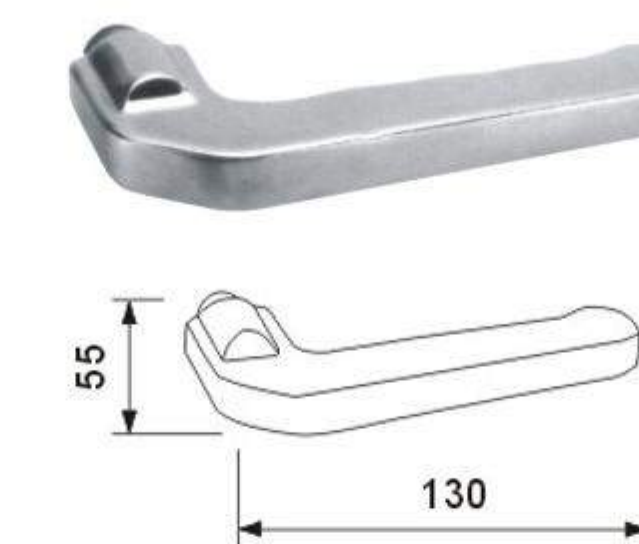
H-58



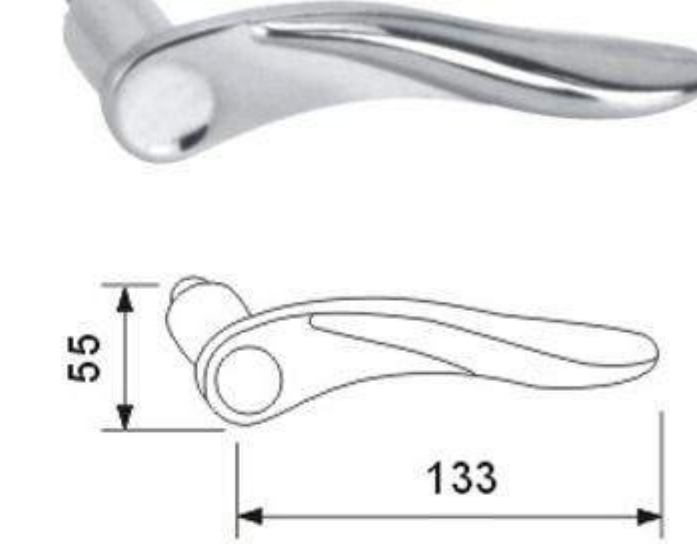
H-62



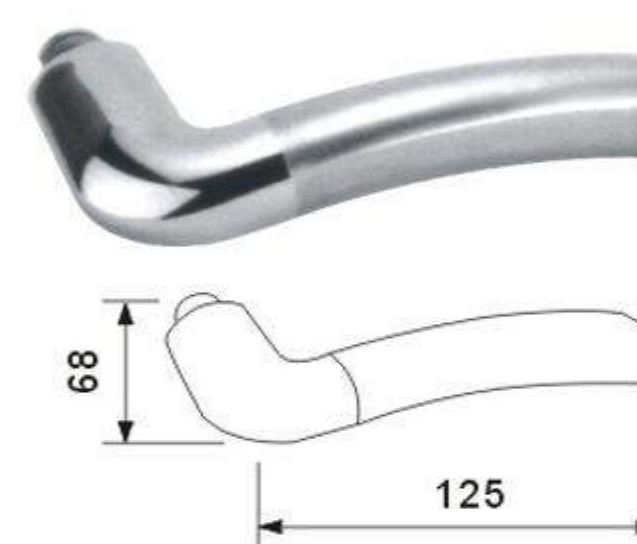
H-95



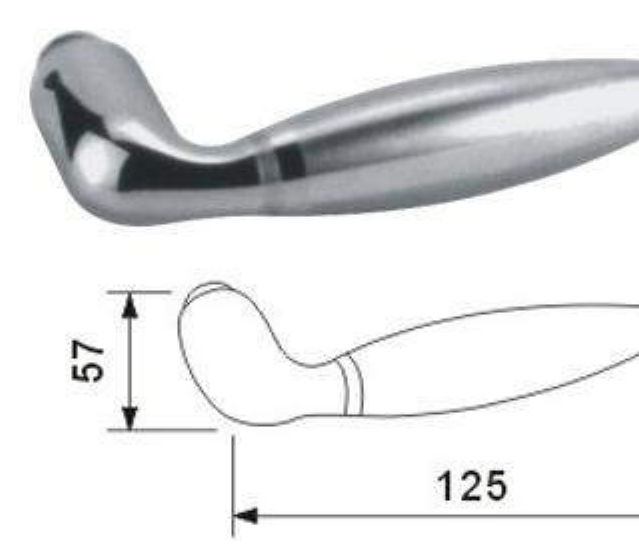
H-101



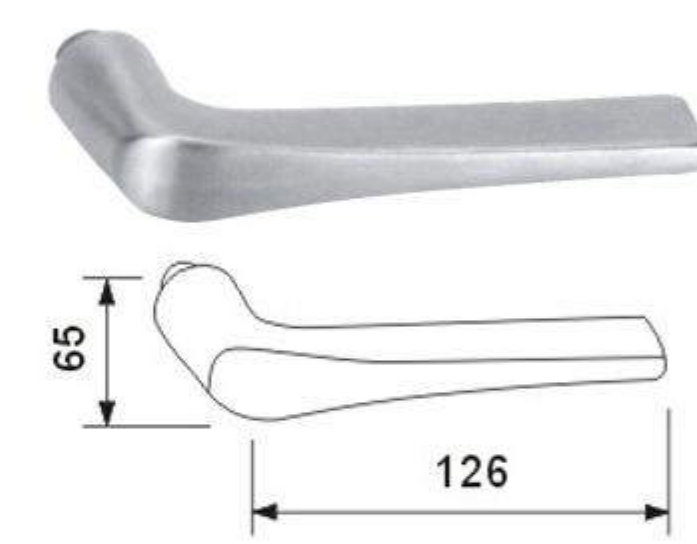
H-104



H-106



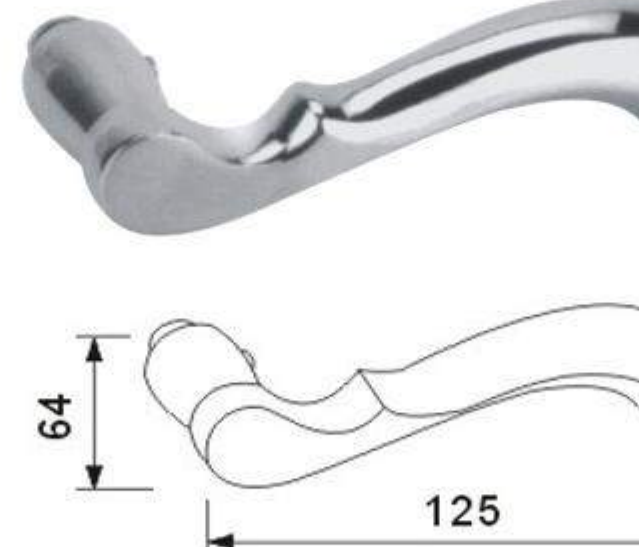
H-121



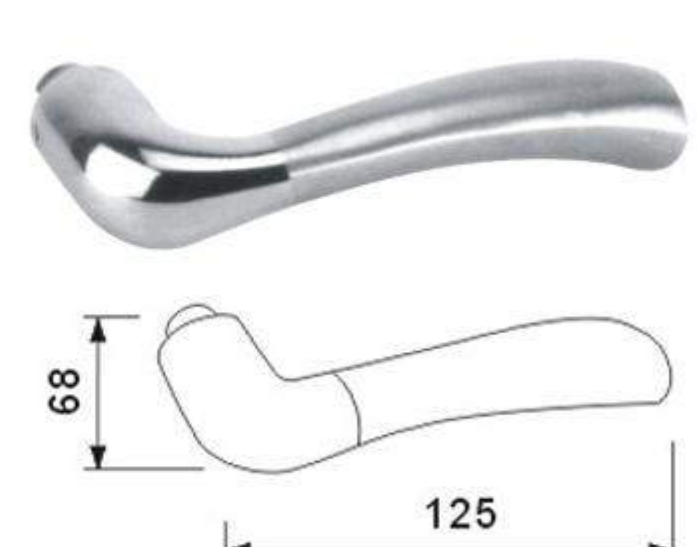
H-122



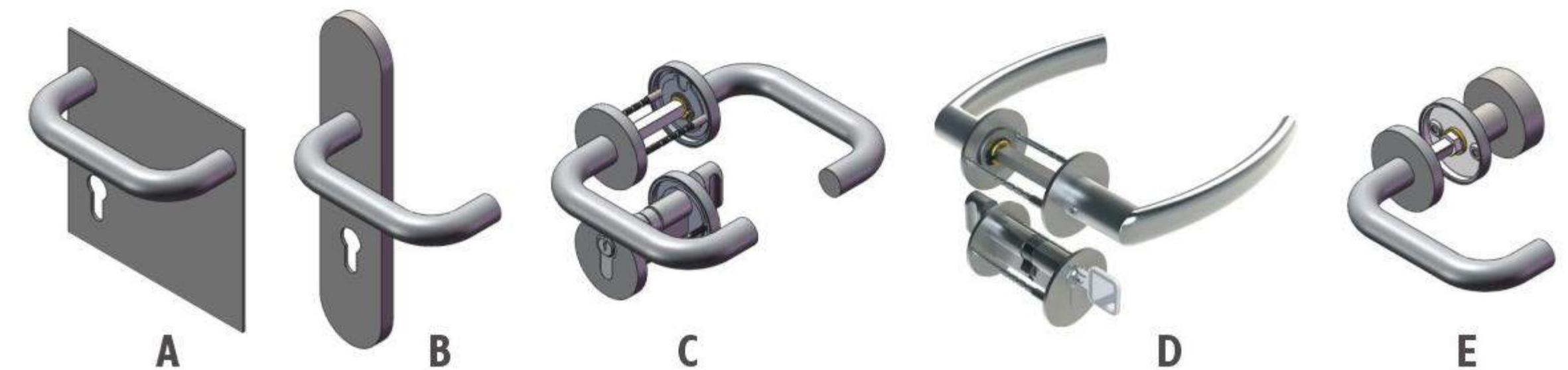
H-123



H-124



TH/H系列互配樣式 TH/H series optional model





**SH-001**

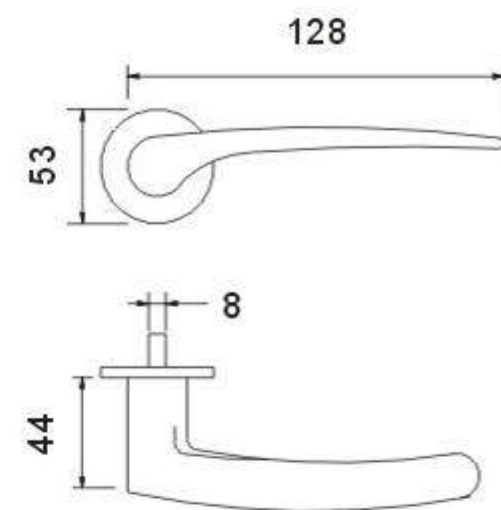


**Stainless steel casting handle**

Material: Stainless steel(S/S 202, S/S 304, S/S 316)  
Finish: SSS,PSS,PVD(satin PVD/polish PVD),AB,AC

**不銹鋼精鑄實心拉手**

材質：不銹鋼 ( S/S 202, S/S 304, S/S 316 )  
表面處理：磨砂，鏡光，PVD ( 磨砂PVD/鏡光PVD )，  
青古銅，紅古銅



**SH-002**

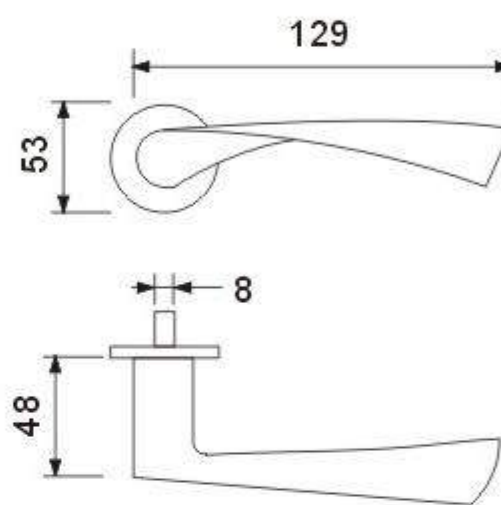


**Stainless steel casting handle**

Material: Stainless steel(S/S 202, S/S 304, S/S 316)  
Finish: SSS,PSS,PVD(satin PVD/polish PVD),AB,AC

**不銹鋼精鑄實心拉手**

材質：不銹鋼 ( S/S 202, S/S 304, S/S 316 )  
表面處理：磨砂，鏡光，PVD ( 磨砂PVD/鏡光PVD )，  
青古銅，紅古銅



**SH-003**

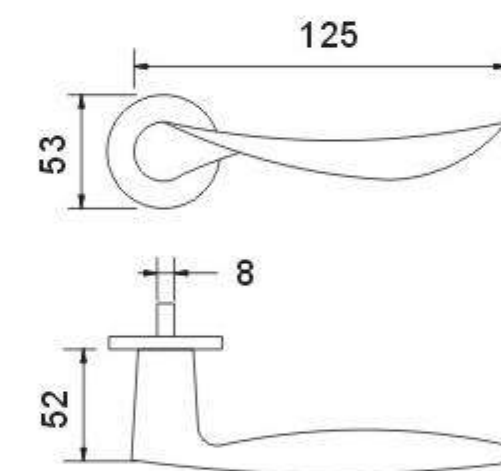


**Stainless steel casting handle**

Material: Stainless steel(S/S 202, S/S 304, S/S 316)  
Finish: SSS,PSS,PVD(satin PVD/polish PVD),AB,AC

**不銹鋼精鑄實心拉手**

材質：不銹鋼 ( S/S 202, S/S 304, S/S 316 )  
表面處理：磨砂，鏡光，PVD ( 磨砂PVD/鏡光PVD )，  
青古銅，紅古銅



**SH-004**

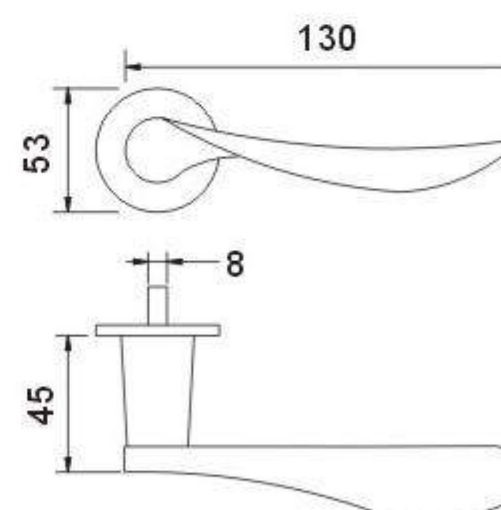


**Stainless steel casting handle**

Material: Stainless steel(S/S 202, S/S 304, S/S 316)  
Finish: SSS,PSS,PVD(satin PVD/polish PVD),AB,AC

**不銹鋼精鑄實心拉手**

材質：不銹鋼 ( S/S 202, S/S 304, S/S 316 )  
表面處理：磨砂，鏡光，PVD ( 磨砂PVD/鏡光PVD )，  
青古銅，紅古銅



**SH-005**

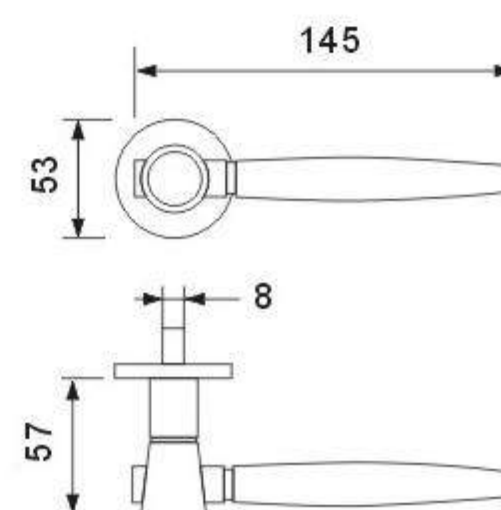


**Stainless steel casting handle**

Material: Stainless steel(S/S 202, S/S 304, S/S 316)  
Finish: SSS,PSS,PVD(satin PVD/polish PVD),AB,AC

**不銹鋼精鑄實心拉手**

材質：不銹鋼 ( S/S 202, S/S 304, S/S 316 )  
表面處理：磨砂，鏡光，PVD ( 磨砂PVD/鏡光PVD )，  
青古銅，紅古銅



**SH-006**

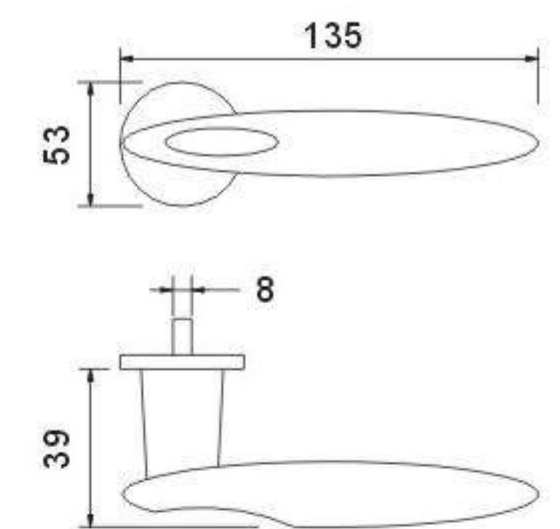


**Stainless steel casting handle**

Material: Stainless steel(S/S 202, S/S 304, S/S 316)  
Finish: SSS,PSS,PVD(satin PVD/polish PVD),AB,AC

**不銹鋼精鑄實心拉手**

材質：不銹鋼 ( S/S 202, S/S 304, S/S 316 )  
表面處理：磨砂，鏡光，PVD ( 磨砂PVD/鏡光PVD )，  
青古銅，紅古銅



**SH-007**

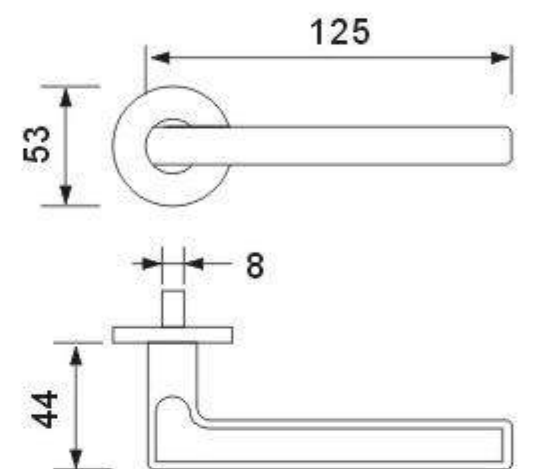


**Stainless steel casting handle**

Material: Stainless steel(S/S 202, S/S 304, S/S 316)  
Finish: SSS,PSS,PVD(satin PVD/polish PVD),AB,AC

**不銹鋼精鑄實心拉手**

材質：不銹鋼 ( S/S 202, S/S 304, S/S 316 )  
表面處理：磨砂，鏡光，PVD ( 磨砂PVD/鏡光PVD )，  
青古銅，紅古銅



**SH-008**

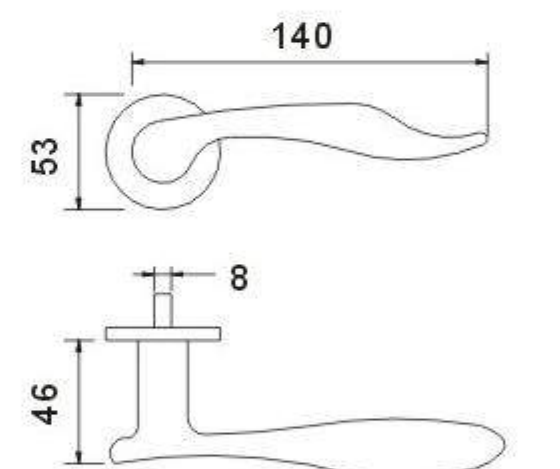


**Stainless steel casting handle**

Material: Stainless steel(S/S 202, S/S 304, S/S 316)  
Finish: SSS,PSS,PVD(satin PVD/polish PVD),AB,AC

**不銹鋼精鑄實心拉手**

材質：不銹鋼 ( S/S 202, S/S 304, S/S 316 )  
表面處理：磨砂，鏡光，PVD ( 磨砂PVD/鏡光PVD )，  
青古銅，紅古銅



**SH-009**

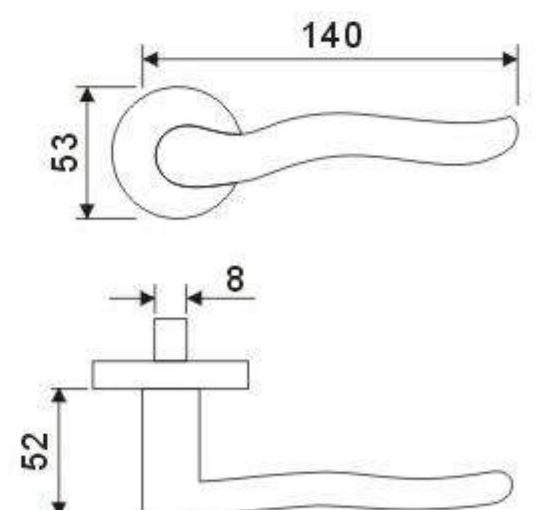


**Stainless steel casting handle**

Material: Stainless steel(S/S 202, S/S 304, S/S 316)  
Finish: SSS,PSS,PVD(satin PVD/polish PVD),AB,AC

**不銹鋼精鑄實心拉手**

材質：不銹鋼 ( S/S 202, S/S 304, S/S 316 )  
表面處理：磨砂，鏡光，PVD ( 磨砂PVD/鏡光PVD )，  
青古銅，紅古銅



**SH-010**

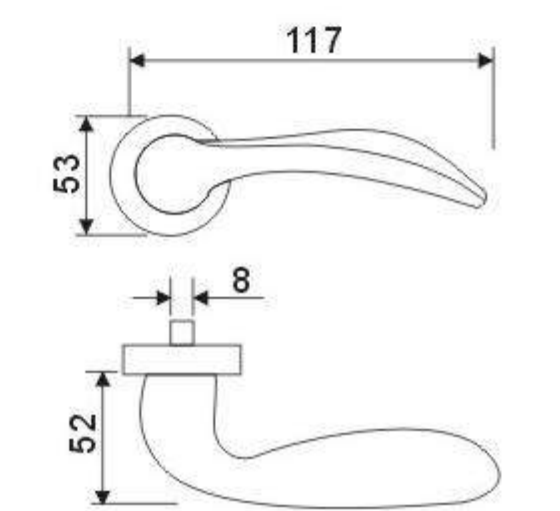


**Stainless steel casting handle**

Material: Stainless steel(S/S 202, S/S 304, S/S 316)  
Finish: SSS,PSS,PVD(satin PVD/polish PVD),AB,AC

**不銹鋼精鑄實心拉手**

材質：不銹鋼 ( S/S 202, S/S 304, S/S 316 )  
表面處理：磨砂，鏡光，PVD ( 磨砂PVD/鏡光PVD )，  
青古銅，紅古銅



CASTING LEVER HANDLE SERIES



SH-011

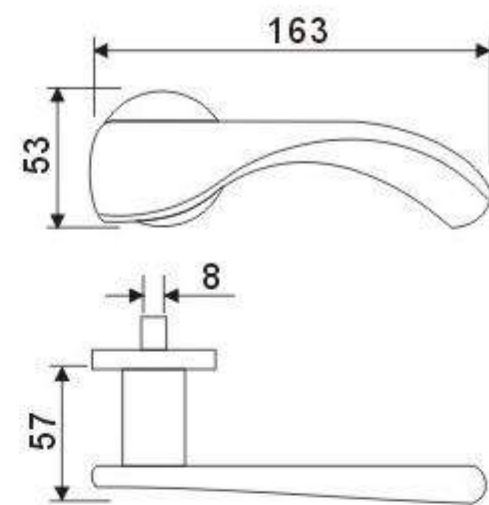


**Stainless steel casting handle**

Material: Stainless steel(S/S 202, S/S 304, S/S 316)  
Finish: SSS,PSS,PVD(satin PVD/polish PVD),AB,AC

**不銹鋼精鑄實心拉手**

材質：不銹鋼 ( S/S 202, S/S 304, S/S 316 )  
表面處理：磨砂，鏡光，PVD ( 磨砂PVD/鏡光PVD )，  
青古銅，紅古銅



SH-012

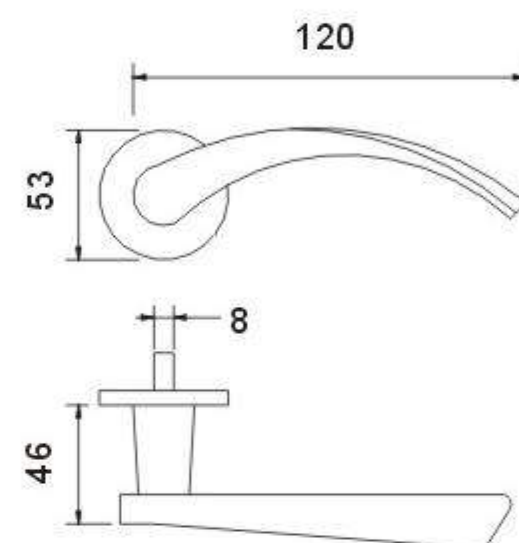


**Stainless steel casting handle**

Material: Stainless steel(S/S 202, S/S 304, S/S 316)  
Finish: SSS,PSS,PVD(satin PVD/polish PVD),AB,AC

**不銹鋼精鑄實心拉手**

材質：不銹鋼 ( S/S 202, S/S 304, S/S 316 )  
表面處理：磨砂，鏡光，PVD ( 磨砂PVD/鏡光PVD )，  
青古銅，紅古銅



SH-013

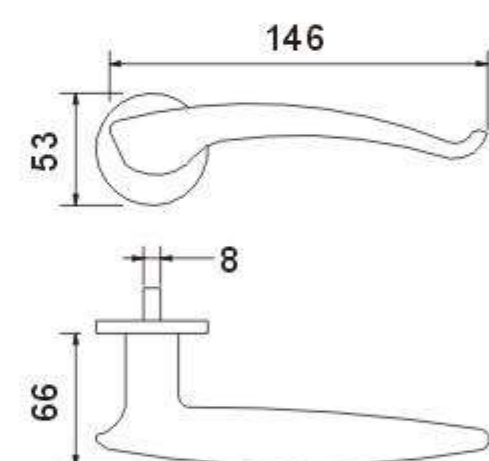


**Stainless steel casting handle**

Material: Stainless steel(S/S 202, S/S 304, S/S 316)  
Finish: SSS,PSS,PVD(satin PVD/polish PVD),AB,AC

**不銹鋼精鑄實心拉手**

材質：不銹鋼 ( S/S 202, S/S 304, S/S 316 )  
表面處理：磨砂，鏡光，PVD ( 磨砂PVD/鏡光PVD )，  
青古銅，紅古銅



SH-014

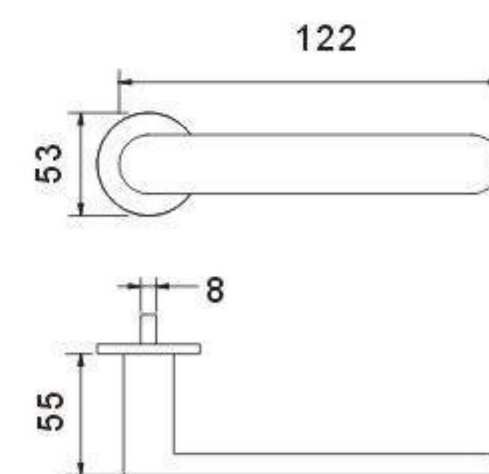


**Stainless steel casting handle**

Material: Stainless steel(S/S 202, S/S 304, S/S 316)  
Finish: SSS,PSS,PVD(satin PVD/polish PVD),AB,AC

**不銹鋼精鑄實心拉手**

材質：不銹鋼 ( S/S 202, S/S 304, S/S 316 )  
表面處理：磨砂，鏡光，PVD ( 磨砂PVD/鏡光PVD )，  
青古銅，紅古銅



SH-015

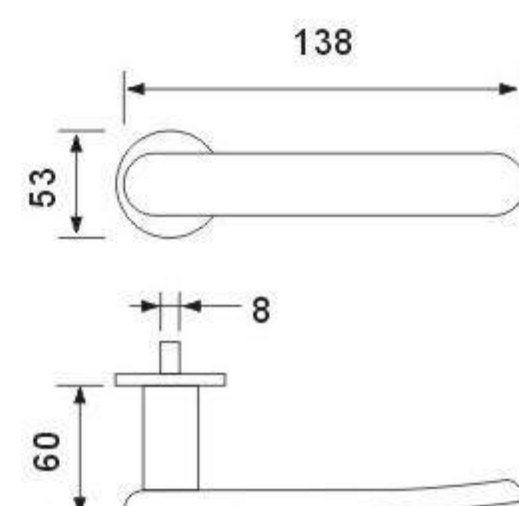


**Stainless steel casting handle**

Material: Stainless steel(S/S 202, S/S 304, S/S 316)  
Finish: SSS,PSS,PVD(satin PVD/polish PVD),AB,AC

**不銹鋼精鑄實心拉手**

材質：不銹鋼 ( S/S 202, S/S 304, S/S 316 )  
表面處理：磨砂，鏡光，PVD ( 磨砂PVD/鏡光PVD )，  
青古銅，紅古銅



CASTING LEVER HANDLE SERIES



SH-016

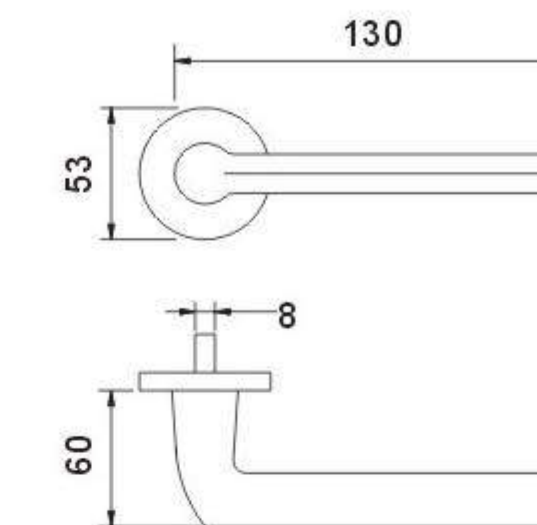


**Stainless steel casting handle**

Material: Stainless steel(S/S 202, S/S 304, S/S 316)  
Finish: SSS,PSS,PVD(satin PVD/polish PVD),AB,AC

**不銹鋼精鑄實心拉手**

材質：不銹鋼 ( S/S 202, S/S 304, S/S 316 )  
表面處理：磨砂，鏡光，PVD ( 磨砂PVD/鏡光PVD )，  
青古銅，紅古銅



SH-017

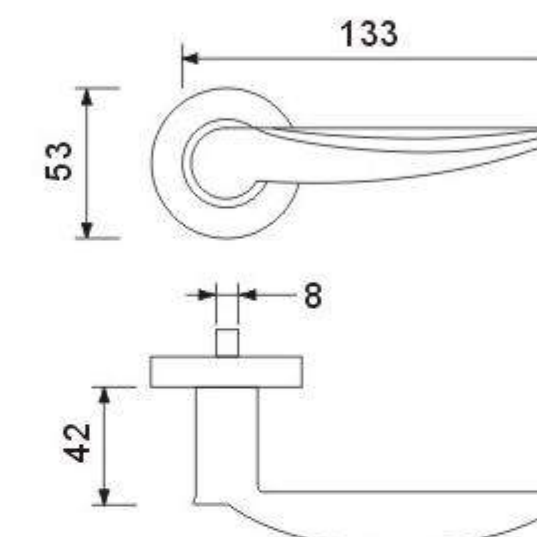


**Stainless steel casting handle**

Material: Stainless steel(S/S 202, S/S 304, S/S 316)  
Finish: SSS,PSS,PVD(satin PVD/polish PVD),AB,AC

**不銹鋼精鑄實心拉手**

材質：不銹鋼 ( S/S 202, S/S 304, S/S 316 )  
表面處理：磨砂，鏡光，PVD ( 磨砂PVD/鏡光PVD )，  
青古銅，紅古銅



SH-018

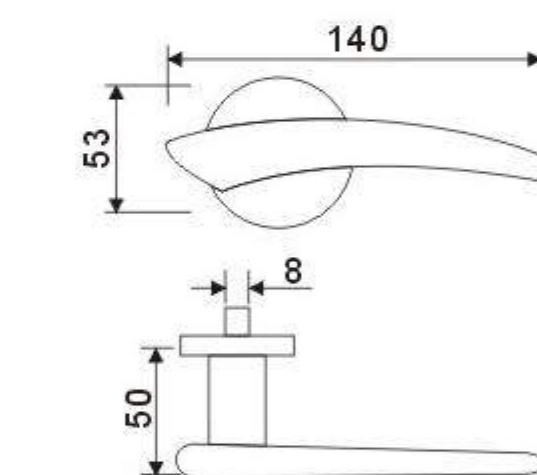


**Stainless steel casting handle**

Material: Stainless steel(S/S 202, S/S 304, S/S 316)  
Finish: SSS,PSS,PVD(satin PVD/polish PVD),AB,AC

**不銹鋼精鑄實心拉手**

材質：不銹鋼 ( S/S 202, S/S 304, S/S 316 )  
表面處理：磨砂，鏡光，PVD ( 磨砂PVD/鏡光PVD )，  
青古銅，紅古銅



SH-019

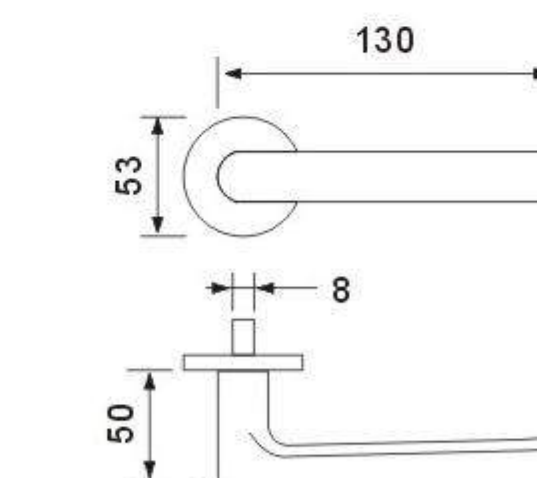


**Stainless steel casting handle**

Material: Stainless steel(S/S 202, S/S 304, S/S 316)  
Finish: SSS,PSS,PVD(satin PVD/polish PVD),AB,AC

**不銹鋼精鑄實心拉手**

材質：不銹鋼 ( S/S 202, S/S 304, S/S 316 )  
表面處理：磨砂，鏡光，PVD ( 磨砂PVD/鏡光PVD )，  
青古銅，紅古銅



SH-020

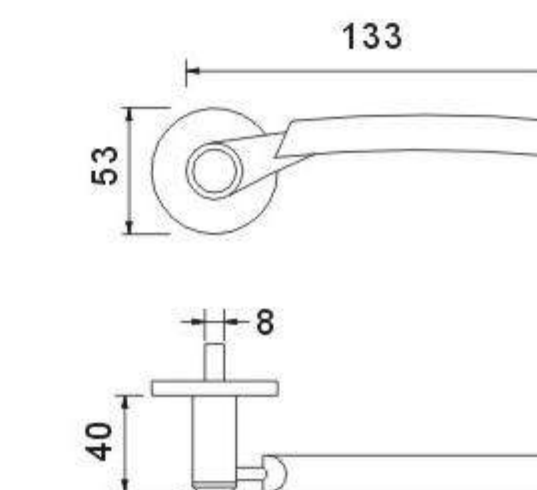


**Stainless steel casting handle**

Material: Stainless steel(S/S 202, S/S 304, S/S 316)  
Finish: SSS,PSS,PVD(satin PVD/polish PVD),AB,AC

**不銹鋼精鑄實心拉手**

材質：不銹鋼 ( S/S 202, S/S 304, S/S 316 )  
表面處理：磨砂，鏡光，PVD ( 磨砂PVD/鏡光PVD )，  
青古銅，紅古銅





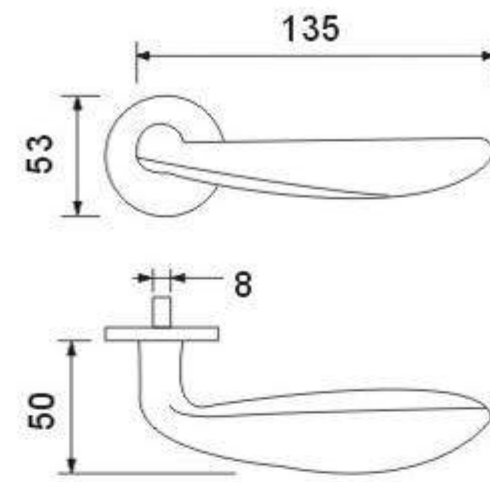


**SH-021**



**Stainless steel casting handle**  
Material: Stainless steel(S/S 202, S/S 304, S/S 316)  
Finish: SSS,PSS,PVD(satin PVD/polish PVD),AB,AC

**不銹鋼精鑄實心拉手**  
材質：不銹鋼 ( S/S 202, S/S 304, S/S 316 )  
表面處理：磨砂，鏡光，PVD ( 磨砂PVD/鏡光PVD ) ，  
青古銅，紅古銅

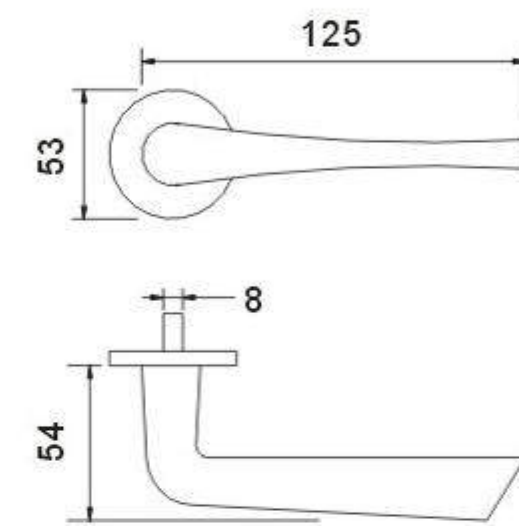


**SH-022**



**Stainless steel casting handle**  
Material: Stainless steel(S/S 202, S/S 304, S/S 316)  
Finish: SSS,PSS,PVD(satin PVD/polish PVD),AB,AC

**不銹鋼精鑄實心拉手**  
材質：不銹鋼 ( S/S 202, S/S 304, S/S 316 )  
表面處理：磨砂，鏡光，PVD ( 磨砂PVD/鏡光PVD ) ，  
青古銅，紅古銅

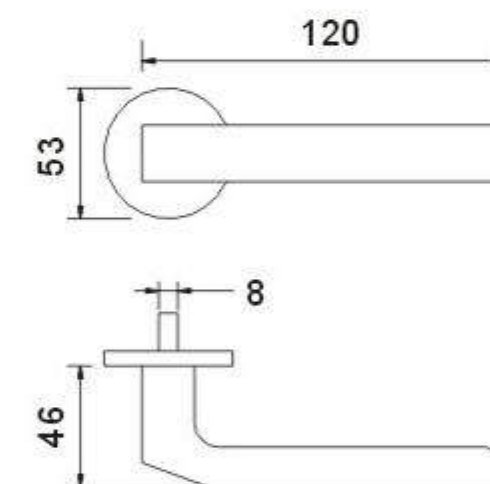


**SH-023**



**Stainless steel casting handle**  
Material: Stainless steel(S/S 202, S/S 304, S/S 316)  
Finish: SSS,PSS,PVD(satin PVD/polish PVD),AB,AC

**不銹鋼精鑄實心拉手**  
材質：不銹鋼 ( S/S 202, S/S 304, S/S 316 )  
表面處理：磨砂，鏡光，PVD ( 磨砂PVD/鏡光PVD ) ，  
青古銅，紅古銅

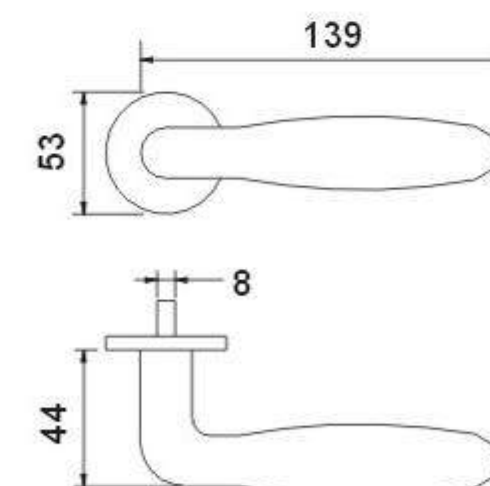


**SH-024**



**Stainless steel casting handle**  
Material: Stainless steel(S/S 202, S/S 304, S/S 316)  
Finish: SSS,PSS,PVD(satin PVD/polish PVD),AB,AC

**不銹鋼精鑄實心拉手**  
材質：不銹鋼 ( S/S 202, S/S 304, S/S 316 )  
表面處理：磨砂，鏡光，PVD ( 磨砂PVD/鏡光PVD ) ，  
青古銅，紅古銅

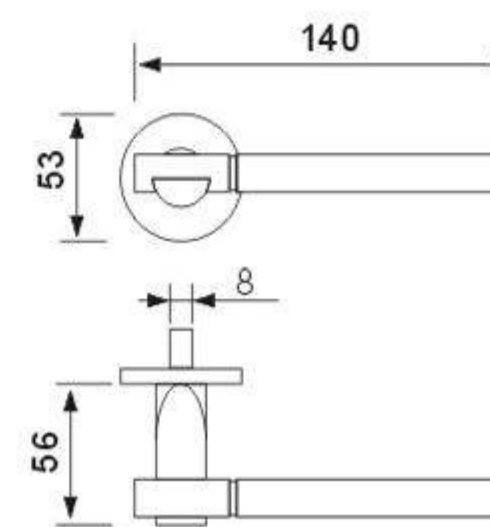


**SH-025**



**Stainless steel casting handle**  
Material: Stainless steel(S/S 202, S/S 304, S/S 316)  
Finish: SSS,PSS,PVD(satin PVD/polish PVD),AB,AC

**不銹鋼精鑄實心拉手**  
材質：不銹鋼 ( S/S 202, S/S 304, S/S 316 )  
表面處理：磨砂，鏡光，PVD ( 磨砂PVD/鏡光PVD ) ，  
青古銅，紅古銅

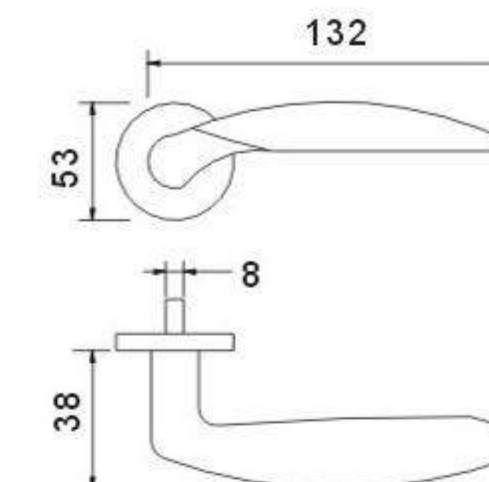


**SH-026**



**Stainless steel casting handle**  
Material: Stainless steel(S/S 202, S/S 304, S/S 316)  
Finish: SSS,PSS,PVD(satin PVD/polish PVD),AB,AC

**不銹鋼精鑄實心拉手**  
材質：不銹鋼 ( S/S 202, S/S 304, S/S 316 )  
表面處理：磨砂，鏡光，PVD ( 磨砂PVD/鏡光PVD ) ，  
青古銅，紅古銅

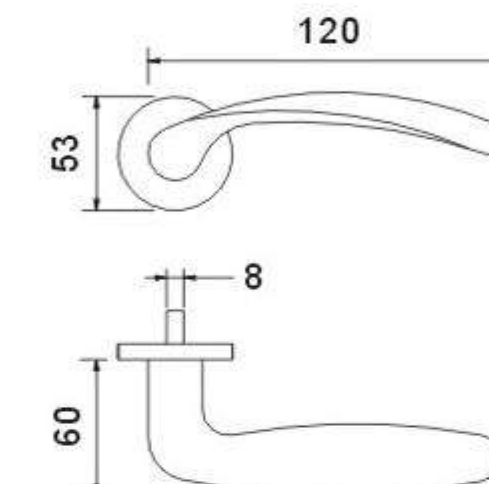


**SH-027**



**Stainless steel casting handle**  
Material: Stainless steel(S/S 202, S/S 304, S/S 316)  
Finish: SSS,PSS,PVD(satin PVD/polish PVD),AB,AC

**不銹鋼精鑄實心拉手**  
材質：不銹鋼 ( S/S 202, S/S 304, S/S 316 )  
表面處理：磨砂，鏡光，PVD ( 磨砂PVD/鏡光PVD ) ，  
青古銅，紅古銅

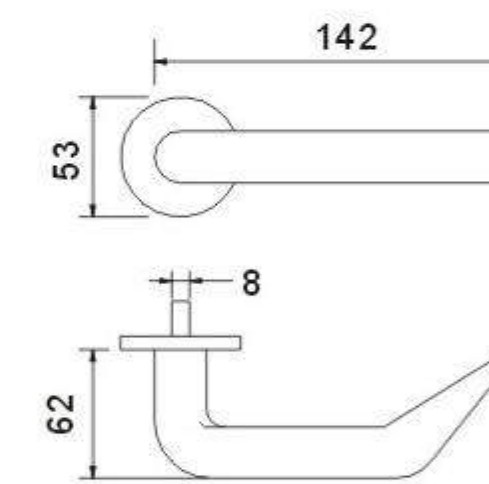


**SH-028**



**Stainless steel casting handle**  
Material: Stainless steel(S/S 202, S/S 304, S/S 316)  
Finish: SSS,PSS,PVD(satin PVD/polish PVD),AB,AC

**不銹鋼精鑄實心拉手**  
材質：不銹鋼 ( S/S 202, S/S 304, S/S 316 )  
表面處理：磨砂，鏡光，PVD ( 磨砂PVD/鏡光PVD ) ，  
青古銅，紅古銅

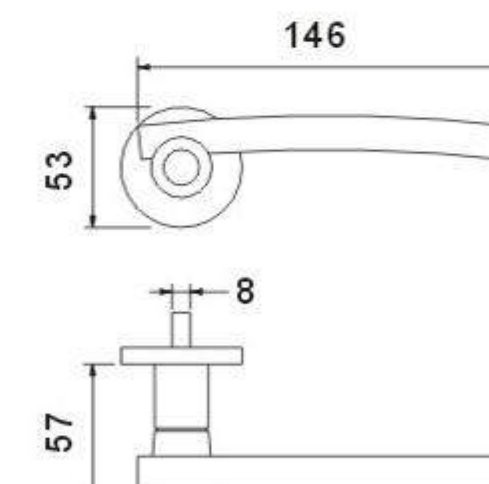


**SH-029**



**Stainless steel casting handle**  
Material: Stainless steel(S/S 202, S/S 304, S/S 316)  
Finish: SSS,PSS,PVD(satin PVD/polish PVD),AB,AC

**不銹鋼精鑄實心拉手**  
材質：不銹鋼 ( S/S 202, S/S 304, S/S 316 )  
表面處理：磨砂，鏡光，PVD ( 磨砂PVD/鏡光PVD ) ，  
青古銅，紅古銅

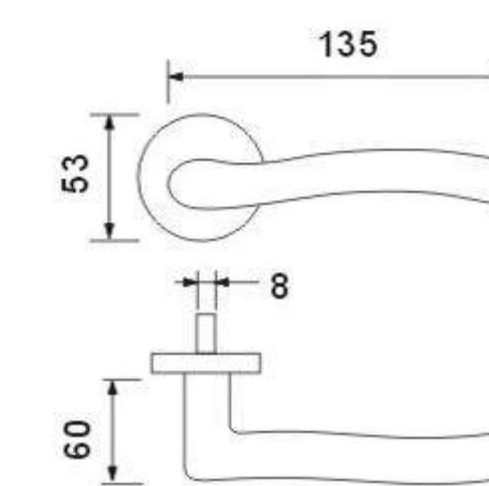


**SH-030**



**Stainless steel casting handle**  
Material: Stainless steel(S/S 202, S/S 304, S/S 316)  
Finish: SSS,PSS,PVD(satin PVD/polish PVD),AB,AC

**不銹鋼精鑄實心拉手**  
材質：不銹鋼 ( S/S 202, S/S 304, S/S 316 )  
表面處理：磨砂，鏡光，PVD ( 磨砂PVD/鏡光PVD ) ，  
青古銅，紅古銅





SH-031

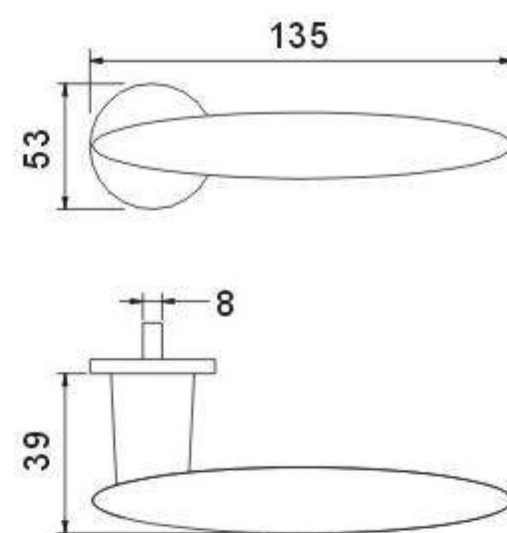


**Stainless steel casting handle**

Material: Stainless steel(S/S 202, S/S 304, S/S 316)  
Finish: SSS,PSS,PVD(satin PVD/polish PVD),AB,AC

**不銹鋼精鑄實心拉手**

材質: 不銹鋼 ( S/S 202, S/S 304, S/S 316 )  
表面處理: 磨砂, 鏡光, PVD ( 磨砂PVD/鏡光PVD ),  
青古銅, 紅古銅



SH-032

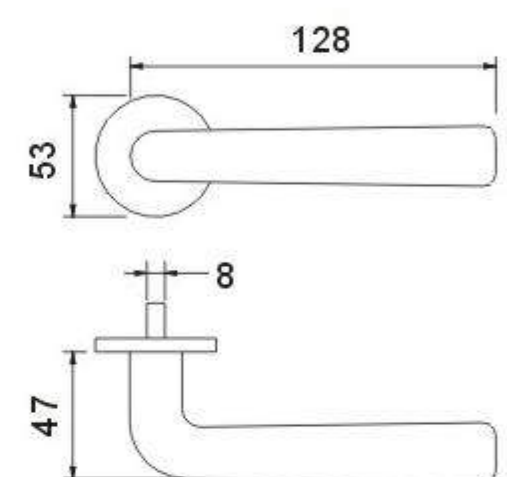


**Stainless steel casting handle**

Material: Stainless steel(S/S 202, S/S 304, S/S 316)  
Finish: SSS,PSS,PVD(satin PVD/polish PVD),AB,AC

**不銹鋼精鑄實心拉手**

材質: 不銹鋼 ( S/S 202, S/S 304, S/S 316 )  
表面處理: 磨砂, 鏡光, PVD ( 磨砂PVD/鏡光PVD ),  
青古銅, 紅古銅



SH-033

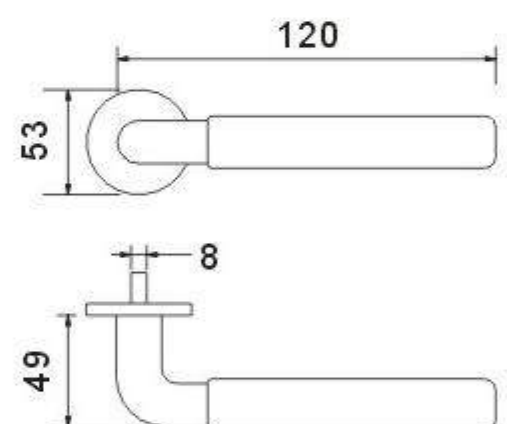


**Stainless steel casting handle**

Material: Stainless steel(S/S 202, S/S 304, S/S 316)  
Finish: SSS,PSS,PVD(satin PVD/polish PVD),AB,AC

**不銹鋼精鑄實心拉手**

材質: 不銹鋼 ( S/S 202, S/S 304, S/S 316 )  
表面處理: 磨砂, 鏡光, PVD ( 磨砂PVD/鏡光PVD ),  
青古銅, 紅古銅



SH-034

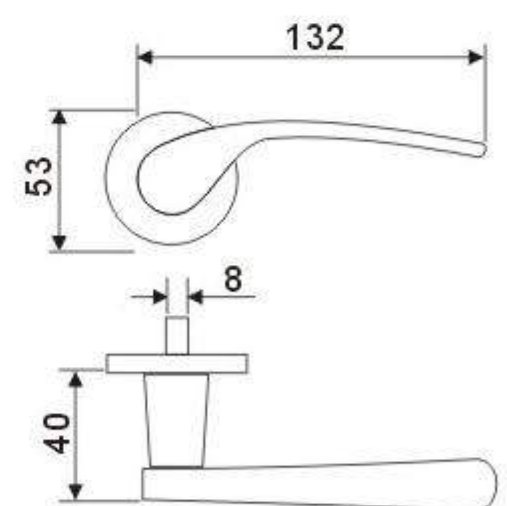


**Stainless steel casting handle**

Material: Stainless steel(S/S 202, S/S 304, S/S 316)  
Finish: SSS,PSS,PVD(satin PVD/polish PVD),AB,AC

**不銹鋼精鑄實心拉手**

材質: 不銹鋼 ( S/S 202, S/S 304, S/S 316 )  
表面處理: 磨砂, 鏡光, PVD ( 磨砂PVD/鏡光PVD ),  
青古銅, 紅古銅



SH-035

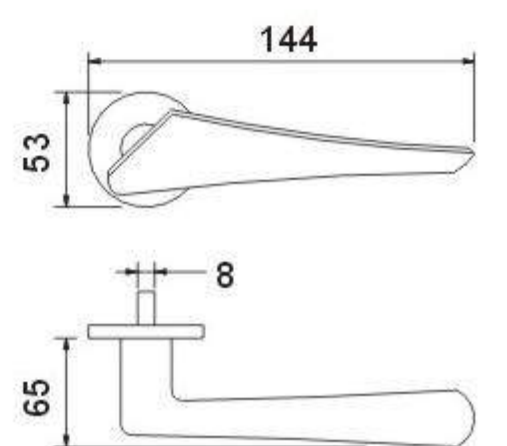


**Stainless steel casting handle**

Material: Stainless steel(S/S 202, S/S 304, S/S 316)  
Finish: SSS,PSS,PVD(satin PVD/polish PVD),AB,AC

**不銹鋼精鑄實心拉手**

材質: 不銹鋼 ( S/S 202, S/S 304, S/S 316 )  
表面處理: 磨砂, 鏡光, PVD ( 磨砂PVD/鏡光PVD ),  
青古銅, 紅古銅



SH-036

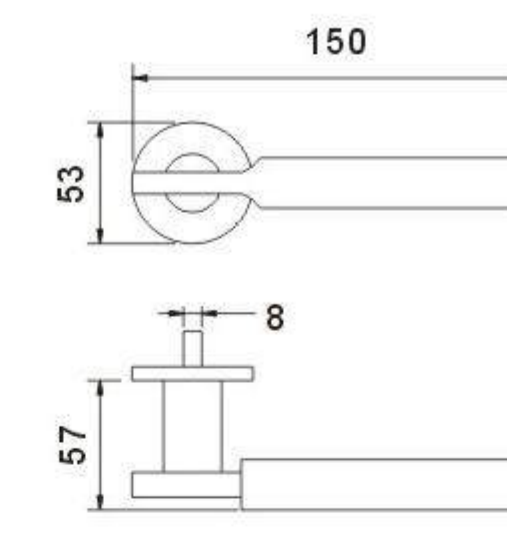


**Stainless steel casting handle**

Material: Stainless steel(S/S 202, S/S 304, S/S 316)  
Finish: SSS,PSS,PVD(satin PVD/polish PVD),AB,AC

**不銹鋼精鑄實心拉手**

材質: 不銹鋼 ( S/S 202, S/S 304, S/S 316 )  
表面處理: 磨砂, 鏡光, PVD ( 磨砂PVD/鏡光PVD ),  
青古銅, 紅古銅



SH-037

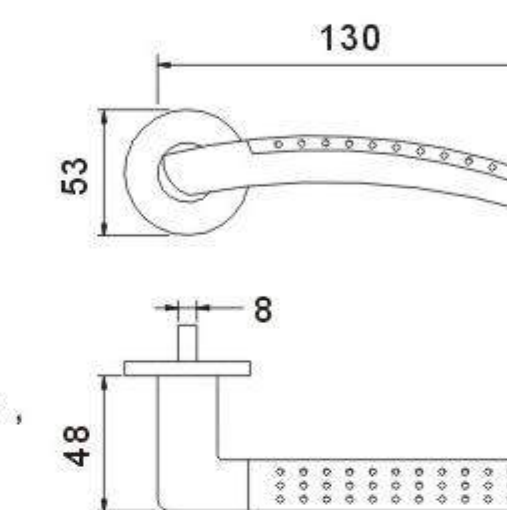


**Stainless steel casting handle**

Material: Stainless steel(S/S 202, S/S 304, S/S 316)  
Finish: SSS,PSS,SSS&PSS,PVD(satin PVD/polish PVD),  
AB,AC

**不銹鋼精鑄實心拉手**

材質: 不銹鋼 ( S/S 202, S/S 304, S/S 316 )  
表面處理: 磨砂, 鏡光, 磨砂間鏡光, PVD ( 磨砂PVD/鏡光PVD ),  
青古銅, 紅古銅



SH-038

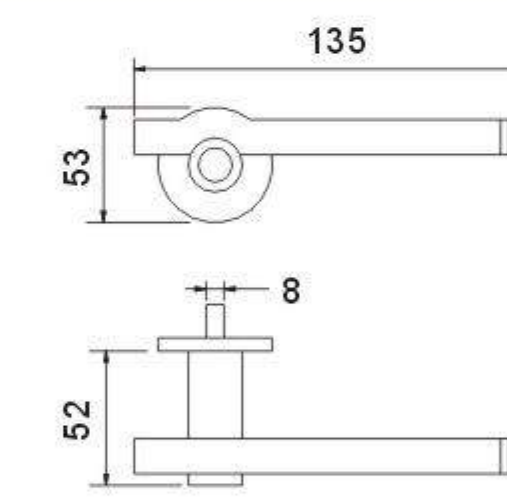


**Stainless steel casting handle**

Material: Stainless steel(S/S 202, S/S 304, S/S 316)  
Finish: SSS,PSS,PVD(satin PVD/polish PVD),AB,AC

**不銹鋼精鑄實心拉手**

材質: 不銹鋼 ( S/S 202, S/S 304, S/S 316 )  
表面處理: 磨砂, 鏡光, PVD ( 磨砂PVD/鏡光PVD ),  
青古銅, 紅古銅



SH-039

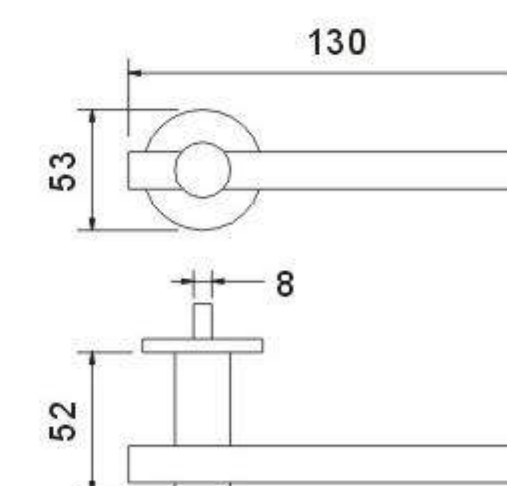


**Stainless steel casting handle**

Material: Stainless steel(S/S 202, S/S 304, S/S 316)  
Finish: SSS,PSS,PVD(satin PVD/polish PVD),AB,AC

**不銹鋼精鑄實心拉手**

材質: 不銹鋼 ( S/S 202, S/S 304, S/S 316 )  
表面處理: 磨砂, 鏡光, PVD ( 磨砂PVD/鏡光PVD ),  
青古銅, 紅古銅



SH-040

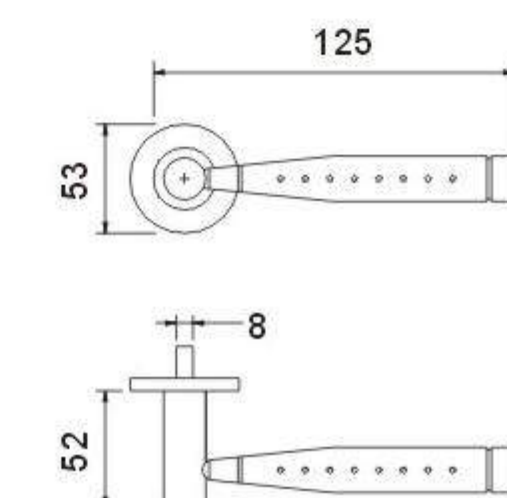


**Stainless steel casting handle**

Material: Stainless steel(S/S 202, S/S 304, S/S 316)  
Finish: SSS&PSS,PVD(satin PVD/polish PVD),  
AB,AC

**不銹鋼精鑄實心拉手**

材質: 不銹鋼 ( S/S 202, S/S 304, S/S 316 )  
表面處理: 磨砂間鏡光, PVD ( 磨砂PVD/鏡光PVD ),  
青古銅, 紅古銅





SH-041

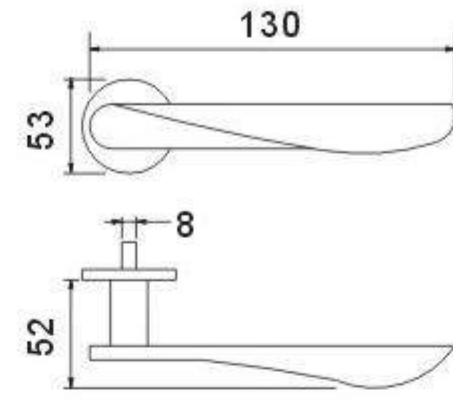


**Stainless steel casting handle**

Material: Stainless steel(S/S 202, S/S 304, S/S 316)  
Finish: SSS,PSS,PVD(satin PVD/polish PVD),AB,AC

**不銹鋼精鑄實心拉手**

材質：不銹鋼 ( S/S 202, S/S 304, S/S 316 )  
表面處理：磨砂，鏡光，PVD ( 磨砂PVD/鏡光PVD )，  
青古銅，紅古銅



SH-042

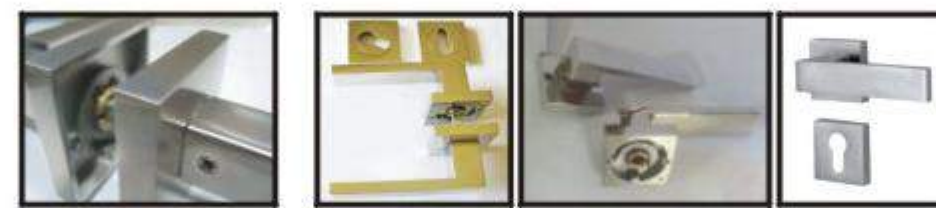


**Stainless steel casting handle**

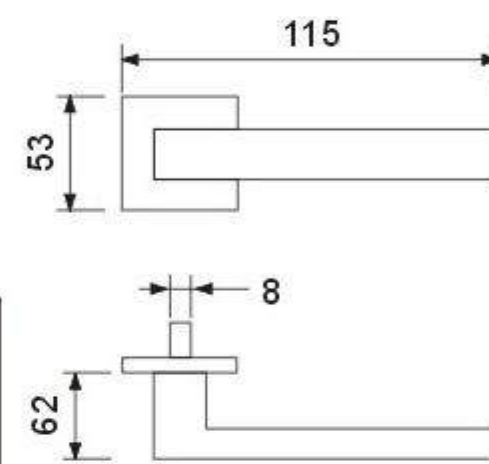
Material: Stainless steel(S/S 202, S/S 304, S/S 316)  
Finish: SSS,PSS,PVD(satin PVD/polish PVD),AB,AC

**不銹鋼精鑄實心拉手**

材質：不銹鋼 ( S/S 202, S/S 304, S/S 316 )  
表面處理：磨砂，鏡光，PVD ( 磨砂PVD/鏡光PVD )，  
青古銅，紅古銅



配鍛壓底座 With pressing base  
配實心精鑄底座 With casting base



SH-043

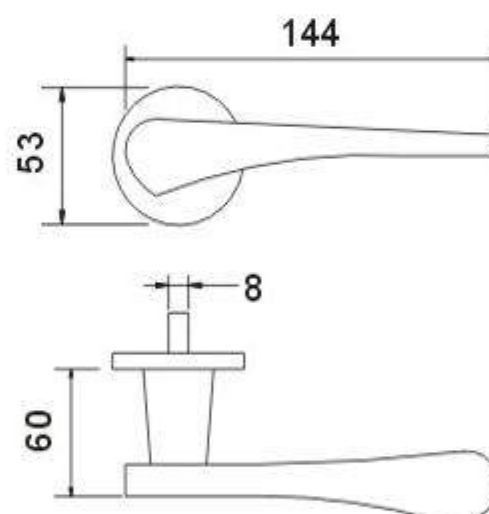


**Stainless steel casting handle**

Material: Stainless steel(S/S 202, S/S 304, S/S 316)  
Finish: SSS,PSS,PVD(satin PVD/polish PVD),AB,AC

**不銹鋼精鑄實心拉手**

材質：不銹鋼 ( S/S 202, S/S 304, S/S 316 )  
表面處理：磨砂，鏡光，PVD ( 磨砂PVD/鏡光PVD )，  
青古銅，紅古銅



SH-044



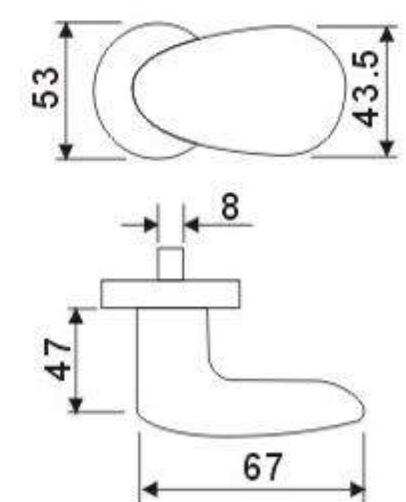
**Stainless steel casting handle/Fixed door knob**

Material: Stainless steel(S/S 202, S/S 304, S/S 316)  
Finish: SSS,PSS,PVD(satin PVD/polish PVD),AB,AC

**不銹鋼精鑄實心拉手**

材質：不銹鋼 ( S/S 202, S/S 304, S/S 316 )  
表面處理：磨砂，鏡光，PVD ( 磨砂PVD/鏡光PVD )，  
青古銅，紅古銅

注：可改安全門外門固定拉手



SH-045

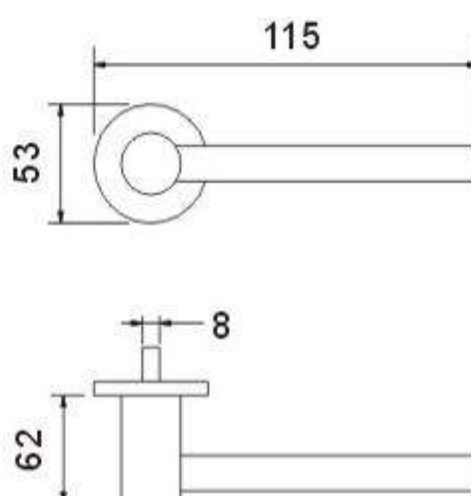


**Stainless steel casting handle**

Material: Stainless steel(S/S 202, S/S 304, S/S 316)  
Finish: SSS,PSS,PVD(satin PVD/polish PVD),AB,AC

**不銹鋼精鑄實心拉手**

材質：不銹鋼 ( S/S 202, S/S 304, S/S 316 )  
表面處理：磨砂，鏡光，PVD ( 磨砂PVD/鏡光PVD )，  
青古銅，紅古銅



SH-046

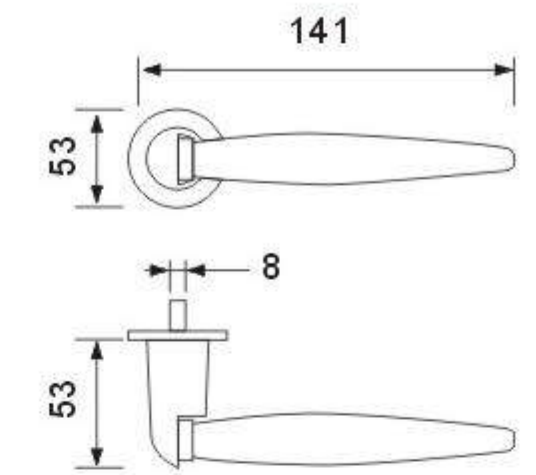


**Stainless steel casting handle**

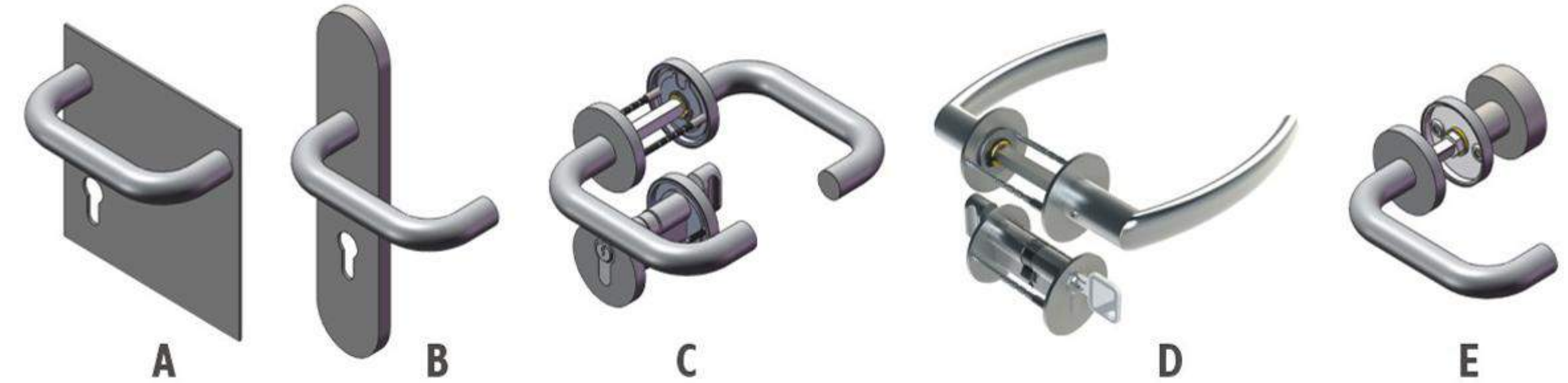
Material: Stainless steel(S/S 202, S/S 304, S/S 316)  
Finish: SSS,PSS,PVD(satin PVD/polish PVD),AB,AC

**不銹鋼精鑄實心拉手**

材質：不銹鋼 ( S/S 202, S/S 304, S/S 316 )  
表面處理：磨砂，鏡光，PVD ( 磨砂PVD/鏡光PVD )，  
青古銅，紅古銅

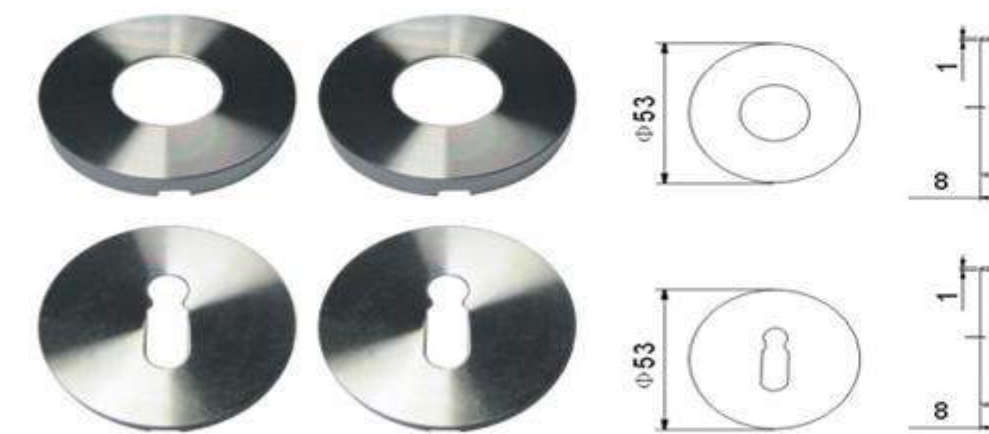


SH系列互配樣式 SH series optional model

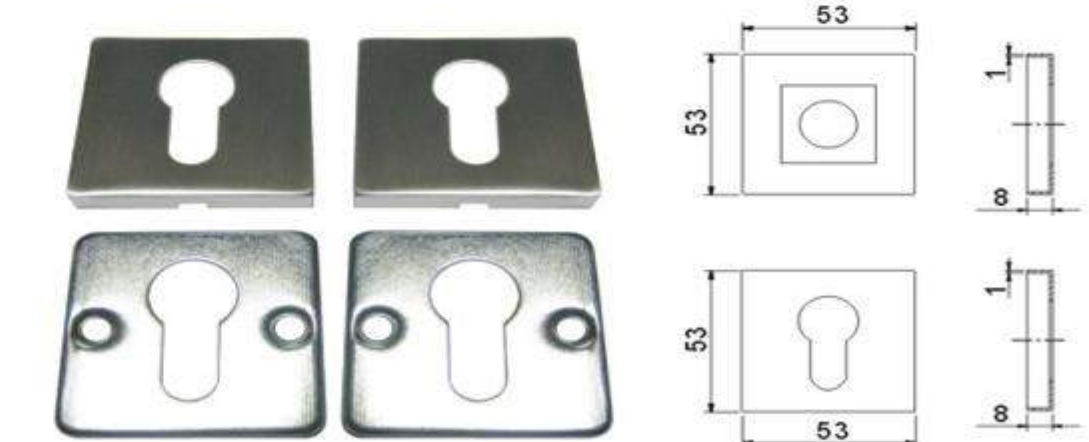


STAINLESS STEEL ESCUTCHEONS

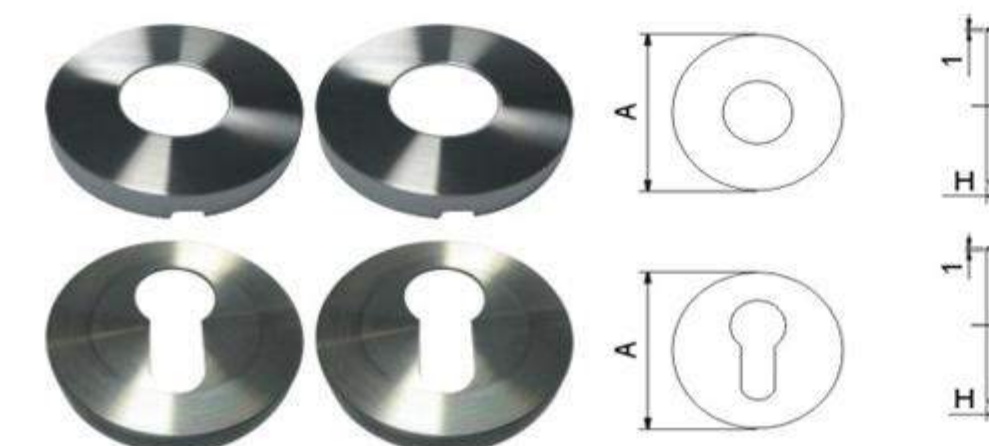
E-001



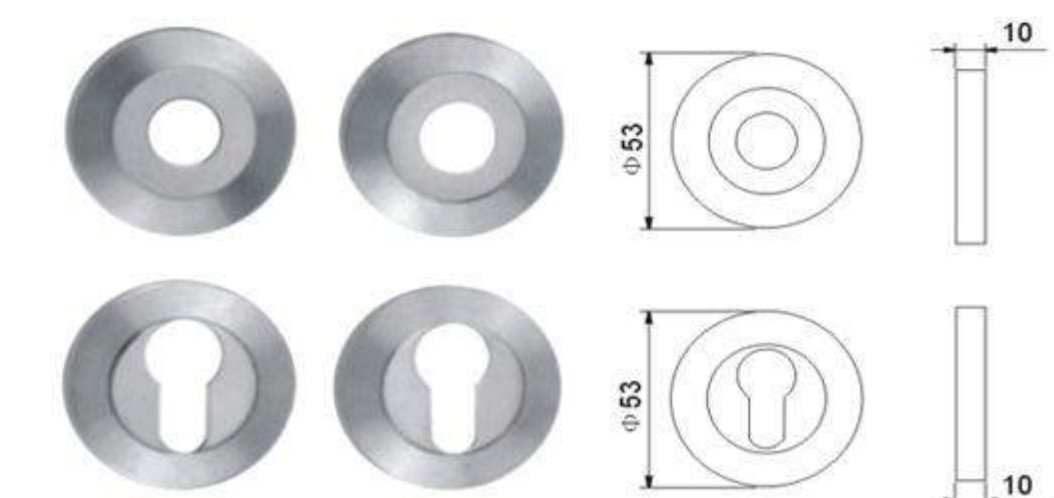
E-002



E-003



E-004



A	Φ53	Φ53	Φ50	Φ45
H	8	8.8	7	6

JM S.R.I Hardware STAINLESS STEEL CASTING LEVER HANDLE SERIES

JM S.R.I Hardware STAINLESS STEEL CASTING LEVER HANDLE SERIES

TUBE PULL HANDLE SERIES



TP-001



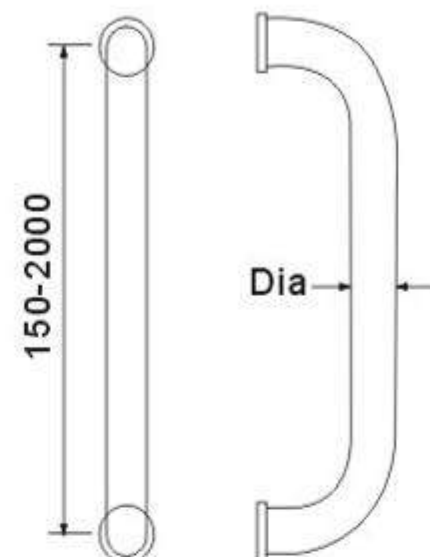
**Stainless steel tube pull handle**

Material: Stainless steel(S/S 201, S/S304, S/S 316)  
Finish: SSS,PSS,PVD(satin PVD/polish PVD),AB,AC  
Available size:  $\Phi$  19/ $\Phi$  20/ $\Phi$  22/ $\Phi$  25/ $\Phi$  30/ $\Phi$  32/ $\Phi$  38

**不銹鋼對抽拉手**

材質: 不銹鋼(S/S 201, S/S304, S/S 316)  
表面處理: 磨砂、鏡光、PVD ( 磨砂PVD/鏡光PVD )、  
青古銅、紅古銅

可根據來圖生產  $\Phi$  19/ $\Phi$  20/ $\Phi$  22/ $\Phi$  25/ $\Phi$  30/ $\Phi$  32/ $\Phi$  38



TP-002

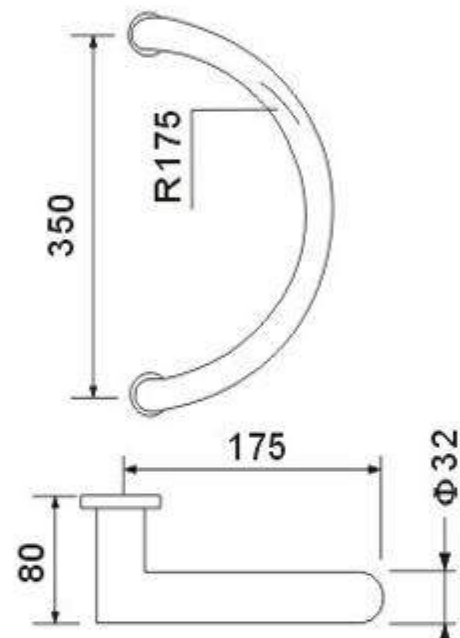


**Stainless steel tube pull handle**

Material: Stainless steel(S/S 201, S/S304, S/S 316)  
Finish: SSS,PSS,PVD(satin PVD/polish PVD),AB,AC

**不銹鋼對抽拉手**

材質: 不銹鋼(S/S 201, S/S304, S/S 316)  
表面處理: 磨砂、鏡光、PVD ( 磨砂PVD/鏡光PVD )、  
青古銅、紅古銅



TP-003

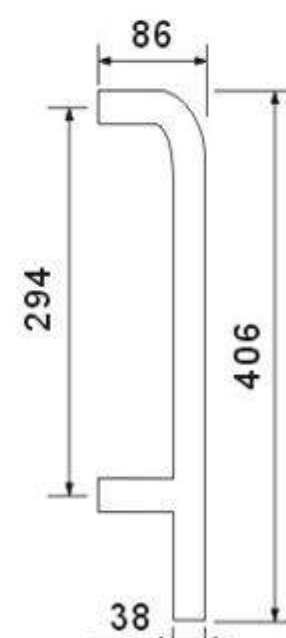


**Stainless steel tube pull handle**

Material: Stainless steel(S/S 201, S/S304, S/S 316)  
Finish: SSS,PSS,PVD(satin PVD/polish PVD),AB,AC

**不銹鋼對抽拉手**

材質: 不銹鋼(S/S 201, S/S304, S/S 316)  
表面處理: 磨砂、鏡光、PVD ( 磨砂PVD/鏡光PVD )、  
青古銅、紅古銅



TP-004



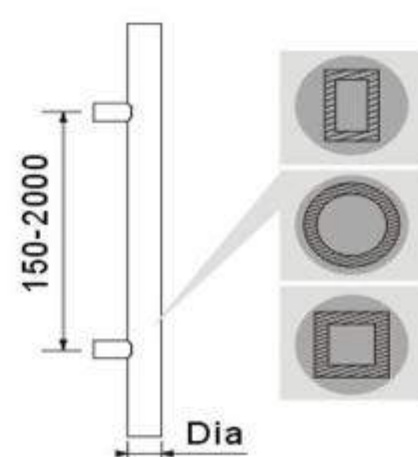
**Stainless steel tube pull handle**

Material: Stainless steel(S/S 201, S/S304, S/S 316)  
Finish: SSS,PSS,PVD(satin PVD/polish PVD),AB,AC  
Available size:  $\square$  19x19/ 20x20/ 22x22/ 25x25/ 30x30  
 $\square$  20x30/ 20x40/ 30x15  
 $\Phi$  19/ $\Phi$  20/ $\Phi$  22/ $\Phi$  25/ $\Phi$  30/ $\Phi$  32/ $\Phi$  38

**不銹鋼對抽拉手**

材質: 不銹鋼(S/S 201, S/S304, S/S 316)  
表面處理: 磨砂、鏡光、PVD ( 磨砂PVD/鏡光PVD )、  
青古銅、紅古銅

可根據來圖生產  $\square$  19x19/ 20x20/ 22x22/ 25x25/ 30x30  
 $\square$  20x30/ 20x40/ 30x15  
 $\Phi$  19/ $\Phi$  20/ $\Phi$  22/ $\Phi$  25/ $\Phi$  30/ $\Phi$  32/ $\Phi$  38



拉手主體可選管材  
Tube Available Size

TUBE PULL HANDLE SERIES



TP-005

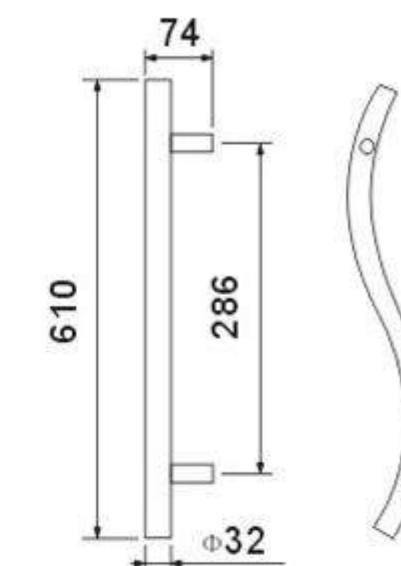


**Stainless steel tube pull handle**

Material: Stainless steel(S/S 201, S/S304, S/S 316)  
Finish: SSS,PSS,PVD(satin PVD/polish PVD),AB,AC

**不銹鋼對抽拉手**

材質: 不銹鋼(S/S 201, S/S304, S/S 316)  
表面處理: 磨砂、鏡光、PVD ( 磨砂PVD/鏡光PVD )、  
青古銅、紅古銅



TP-006



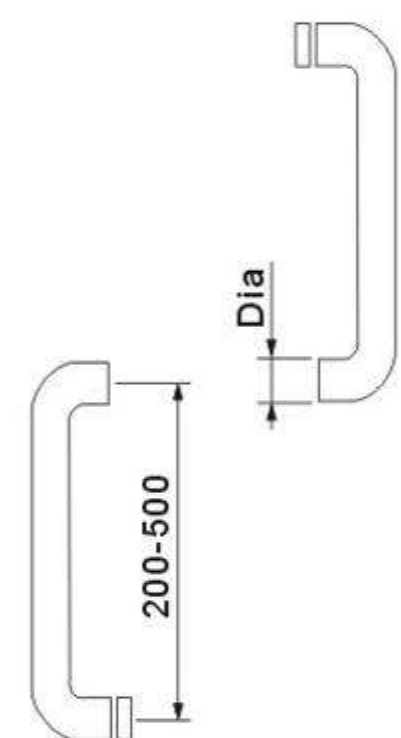
**Stainless steel tube pull handle**

Material: Stainless steel(S/S 201, S/S304, S/S 316)  
Finish: SSS,PSS,PVD(satin PVD/polish PVD),AB,AC  
Available size:  $\Phi$  19/ $\Phi$  22/ $\Phi$  25

**不銹鋼對抽拉手**

材質: 不銹鋼(S/S 201, S/S304, S/S 316)  
表面處理: 磨砂、鏡光、PVD ( 磨砂PVD/鏡光PVD )、  
青古銅、紅古銅

可根據來圖生產  $\Phi$  19/ $\Phi$  22/ $\Phi$  25



TP-007



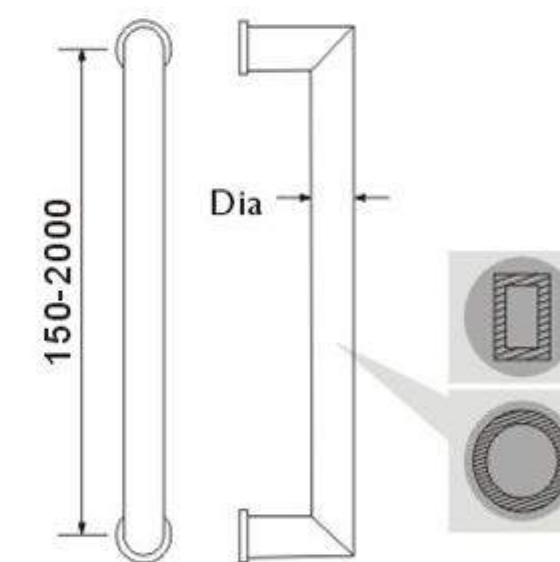
**Stainless steel tube pull handle**

Material: Stainless steel(S/S 201, S/S304, S/S 316)  
Finish: SSS,PSS,PVD(satin PVD/polish PVD),AB,AC  
Available size:  $\square$  20x30/ 20x40/ 30x15  
 $\Phi$  19/ $\Phi$  20/ $\Phi$  22/ $\Phi$  25/ $\Phi$  30/ $\Phi$  32/ $\Phi$  38

**不銹鋼對抽拉手**

材質: 不銹鋼(S/S 201, S/S304, S/S 316)  
表面處理: 磨砂、鏡光、PVD ( 磨砂PVD/鏡光PVD )、  
青古銅、紅古銅

可根據來圖生產  $\square$  20x30/ 20x40/ 30x15  
 $\Phi$  19/ $\Phi$  20/ $\Phi$  22/ $\Phi$  25/ $\Phi$  30/ $\Phi$  32/ $\Phi$  38



拉手主體可選管材  
Tube Available Size

TP-008



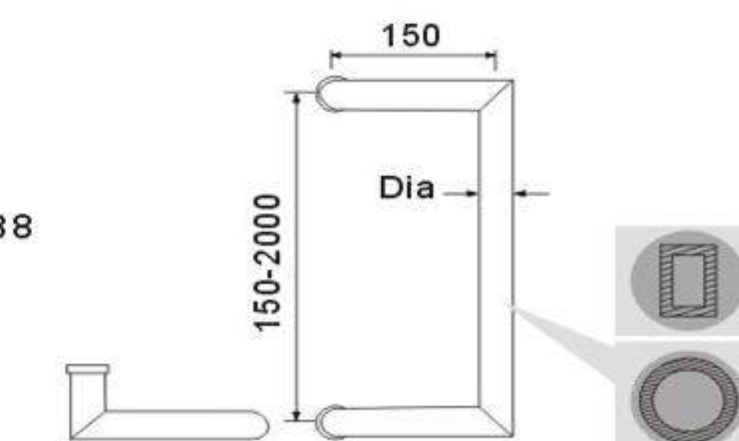
**Stainless steel tube pull handle**

Material: Stainless steel(S/S 201, S/S304, S/S 316)  
Finish: SSS,PSS,PVD(satin PVD/polish PVD),AB,AC  
Available size:  $\square$  20x30/ 20x40/ 30x15  
 $\Phi$  19/ $\Phi$  20/ $\Phi$  22/ $\Phi$  25/ $\Phi$  30/ $\Phi$  32/ $\Phi$  38

**不銹鋼對抽拉手**

材質: 不銹鋼(S/S 201, S/S304, S/S 316)  
表面處理: 磨砂、鏡光、PVD ( 磨砂PVD/鏡光PVD )、  
青古銅、紅古銅

可根據來圖生產  $\square$  20x30/ 20x40/ 30x15  
 $\Phi$  19/ $\Phi$  20/ $\Phi$  22/ $\Phi$  25/ $\Phi$  30/ $\Phi$  32/ $\Phi$  38



拉手主體可選管材  
Tube Available Size



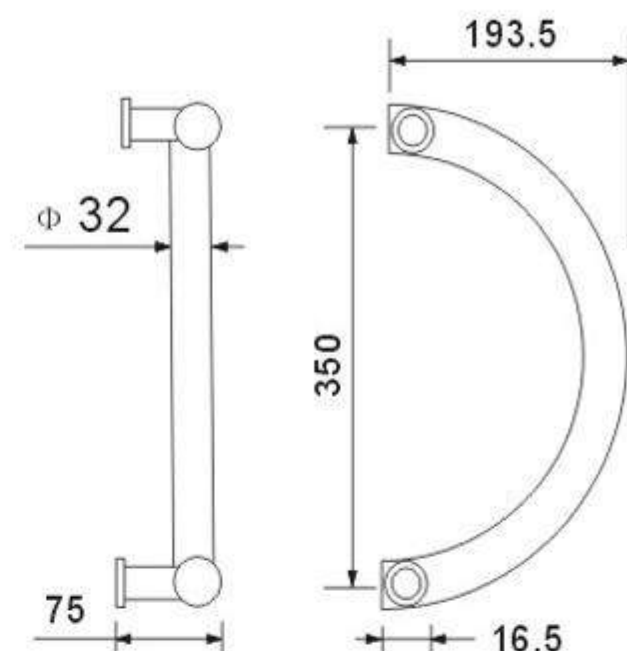
**TP-009**



**Stainless steel tube pull handle**  
Material: Stainless steel(S/S 201, S/S304, S/S 316)  
Finish: SSS,PSS,PVD(satin PVD/polish PVD),AB,AC

**不銹鋼對抽拉手**

材質：不銹鋼(S/S 201, S/S304, S/S 316)  
表面處理：磨砂、鏡光、PVD ( 磨砂PVD/鏡光PVD )、  
青古銅、紅古銅



**TP-010**

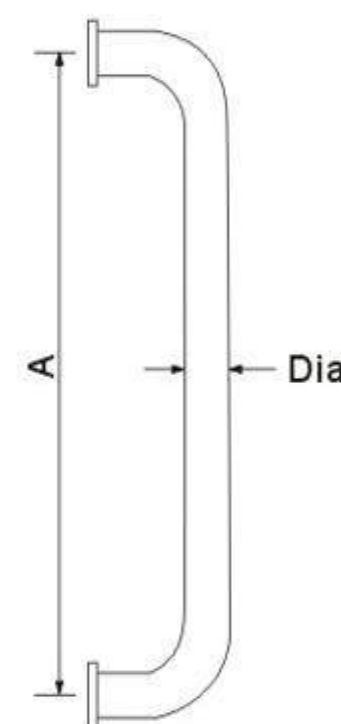


**Stainless steel tube pull handle**  
Material: Stainless steel(S/S 201, S/S304, S/S 316)  
Finish: SSS,PSS,PVD(satin PVD/polish PVD),AB,AC

**不銹鋼對抽拉手**

材質：不銹鋼(S/S 201, S/S304, S/S 316)  
表面處理：磨砂、鏡光、PVD ( 磨砂PVD/鏡光PVD )、  
青古銅、紅古銅

Dia	A
Φ22	300
Φ25	350
Φ32	400



**TP-011**

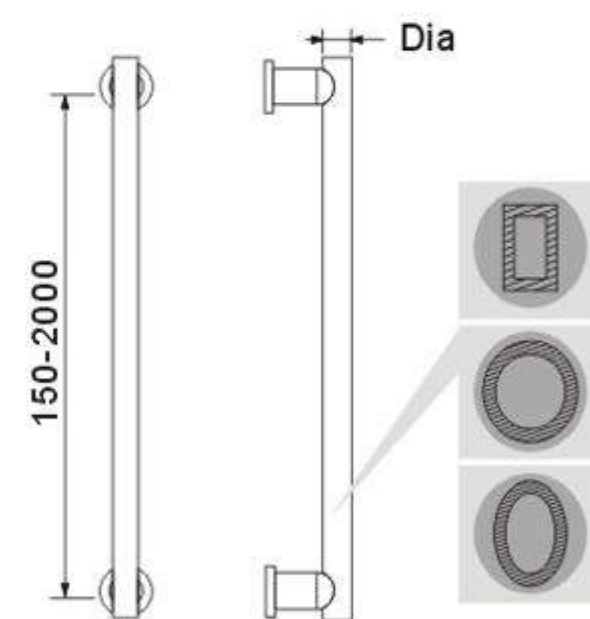


**Stainless steel tube pull handle**  
Material: Stainless steel(S/S 201, S/S304, S/S 316)  
Finish: SSS,PSS,PVD(satin PVD/polish PVD),AB,AC

Available size: □ 20x30/ 20x40/ 30x15  
Φ 19/ Φ 20/ Φ 22/ Φ 25/ Φ 30/ Φ 32/ Φ 38  
Φ 17x21/ Φ 16x44/ Φ 20x40/ Φ 30x45/ Φ 35x65

**不銹鋼對抽拉手**

材質：不銹鋼(S/S 201, S/S304, S/S 316)  
表面處理：磨砂、鏡光、PVD ( 磨砂PVD/鏡光PVD )、  
青古銅、紅古銅  
可根據來圖生產 □ 20x30/ 20x40/ 30x15  
Φ 19/ Φ 20/ Φ 22/ Φ 25/ Φ 30/ Φ 32/ Φ 38  
Φ 17x21/ Φ 16x44/ Φ 20x40/ Φ 30x45/ Φ 35x65



拉手主體可選管材  
Tube Available Size

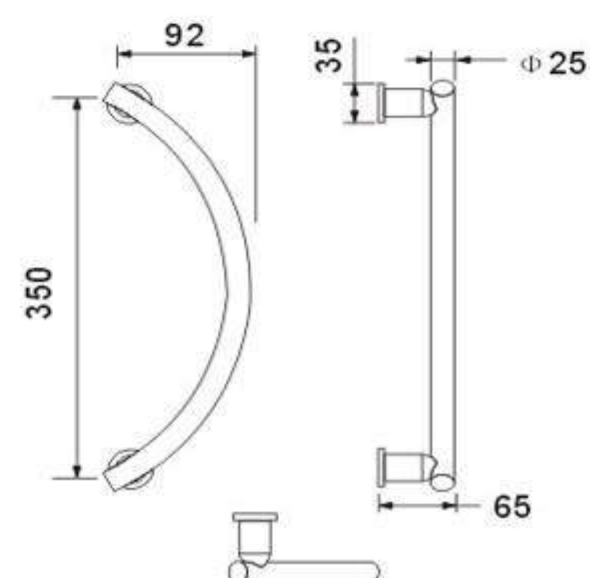
**TP-012**



**Stainless steel tube pull handle**  
Material: Stainless steel(S/S 201, S/S304, S/S 316)  
Finish: SSS,PSS,PVD(satin PVD/polish PVD),AB,AC

**不銹鋼對抽拉手**

材質：不銹鋼(S/S 201, S/S304, S/S 316)  
表面處理：磨砂、鏡光、PVD ( 磨砂PVD/鏡光PVD )、  
青古銅、紅古銅



**TP-013**



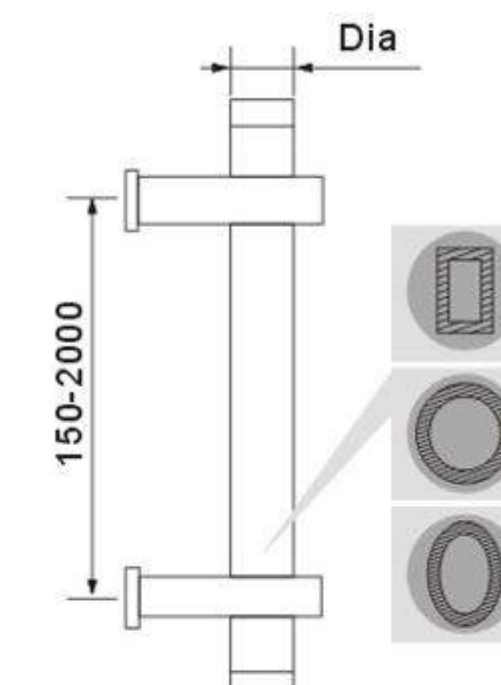
**Stainless steel tube pull handle**

Material: Stainless steel(S/S 201, S/S304, S/S 316)  
Finish: SSS,PSS,PVD(satin PVD/polish PVD),AB,AC

Available size: □ 20x30/ 20x40/ 30x15  
Φ 19/ Φ 20/ Φ 22/ Φ 25/ Φ 30/ Φ 32/ Φ 38  
Φ 17x21/ Φ 16x44/ Φ 20x40/ Φ 30x45/ Φ 35x65

**不銹鋼對抽拉手**

材質：不銹鋼(S/S 201, S/S304, S/S 316)  
表面處理：磨砂、鏡光、PVD ( 磨砂PVD/鏡光PVD )、  
青古銅、紅古銅  
可根據來圖生產 □ 20x30/ 20x40/ 30x15  
Φ 19/ Φ 20/ Φ 22/ Φ 25/ Φ 30/ Φ 32/ Φ 38  
Φ 17x21/ Φ 16x44/ Φ 20x40/ Φ 30x45/ Φ 35x65



拉手主體可選管材  
Tube Available Size

**TP-014**



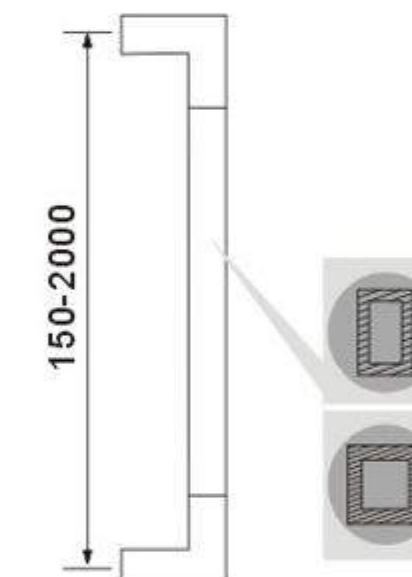
**Stainless steel tube pull handle**

Material: Stainless steel(S/S 201, S/S304, S/S 316)  
Finish: SSS,PSS,PVD(satin PVD/polish PVD),AB,AC

Available size: □ 19x19/ 20x20/ 22x22/ 25x25/ 30x30  
□ 20x30/ 20x40/ 30x15

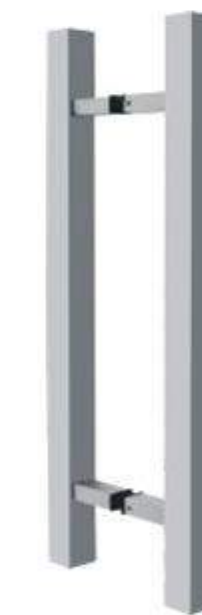
**不銹鋼對抽拉手**

材質：不銹鋼(S/S 201, S/S304, S/S 316)  
表面處理：磨砂、鏡光、PVD ( 磨砂PVD/鏡光PVD )、  
青古銅、紅古銅  
可根據來圖生產 □ 19x19/ 20x20/ 22x22/ 25x25/ 30x30  
□ 20x30/ 20x40/ 30x15



拉手主體可選管材  
Tube Available Size

**TP-015**



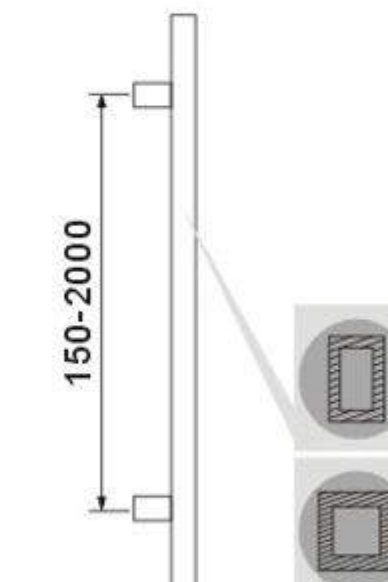
**Stainless steel tube pull handle**

Material: Stainless steel(S/S 201, S/S304, S/S 316)  
Finish: SSS,PSS,PVD(satin PVD/polish PVD),AB,AC

Available size: □ 19x19/ 20x20/ 22x22/ 25x25/ 30x30  
□ 20x30/ 20x40/ 30x15

**不銹鋼對抽拉手**

材質：不銹鋼(S/S 201, S/S304, S/S 316)  
表面處理：磨砂、鏡光、PVD ( 磨砂PVD/鏡光PVD )、  
青古銅、紅古銅  
可根據來圖生產 □ 19x19/ 20x20/ 22x22/ 25x25/ 30x30  
□ 20x30/ 20x40/ 30x15



拉手主體可選管材  
Tube Available Size

**TP-016**



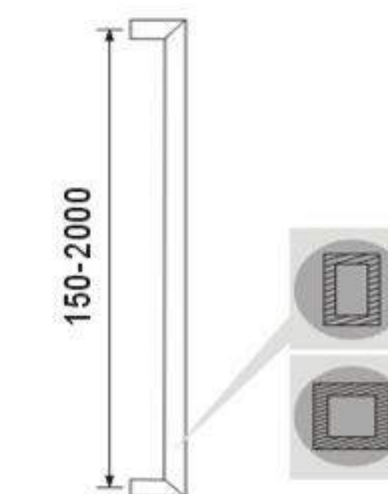
**Stainless steel tube pull handle**

Material: Stainless steel(S/S 201, S/S304, S/S 316)  
Finish: SSS,PSS,PVD(satin PVD/polish PVD),AB,AC

Available size: □ 19x19/ 20x20/ 22x22/ 25x25/ 30x30  
□ 20x30/ 20x40/ 30x15

**不銹鋼對抽拉手**

材質：不銹鋼(S/S 201, S/S304, S/S 316)  
表面處理：磨砂、鏡光、PVD ( 磨砂PVD/鏡光PVD )、  
青古銅、紅古銅  
可根據來圖生產 □ 19x19/ 20x20/ 22x22/ 25x25/ 30x30  
□ 20x30/ 20x40/ 30x15



拉手主體可選管材  
Tube Available Size



**FH-001**

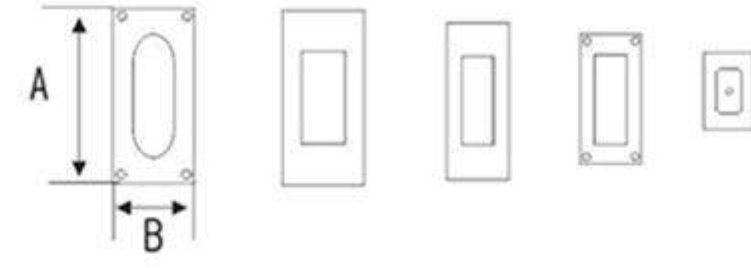
不銹鋼暗拉手

材質：不銹鋼 ( S/S 201,S/S 304,S/S316)  
 表面處理：砂光·拋光·青古銅·紅古銅·仿金



**Stainless steel conceal handle**

Material:Stainless steel(S/S201,S/S304,S/S316)  
 Finish:SS,PSS,BP,GP,AB,AC



A	150	120	102	180
B	50	50	51	60

**FH-002**

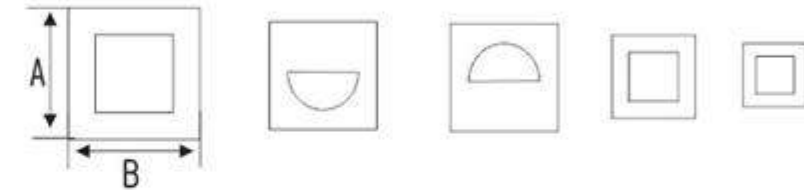
不銹鋼暗拉手

材質：不銹鋼 ( S/S 201,S/S 304,S/S316)  
 表面處理：砂光·拋光·青古銅·紅古銅·仿金



**Stainless steel conceal handle**

Material:Stainless steel(S/S201,S/S304,S/S316)  
 Finish:SS,PSS,BP,GP,AB,AC



A	70	50	40
B	70	50	40

**FH-003**

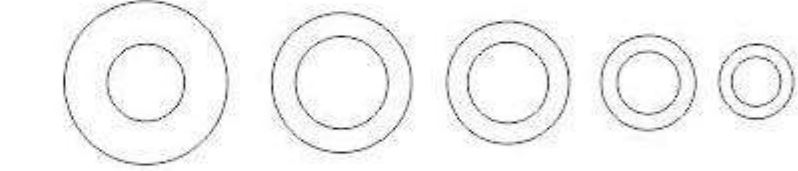
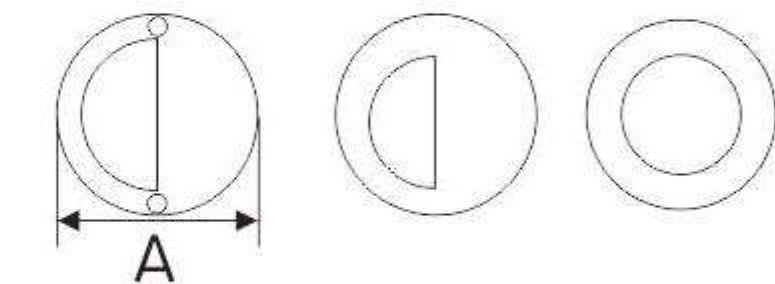
不銹鋼暗拉手

材質：不銹鋼 ( S/S 201,S/S 304,S/S316)  
 表面處理：砂光·拋光·青古銅·紅古銅·仿金



**Stainless steel conceal handle**

Material:Stainless steel(S/S201,S/S304,S/S316)  
 Finish:SS,PSS,BP,GP,AB,AC



A	90	70	65	50	40	30
---	----	----	----	----	----	----

**FH-004**

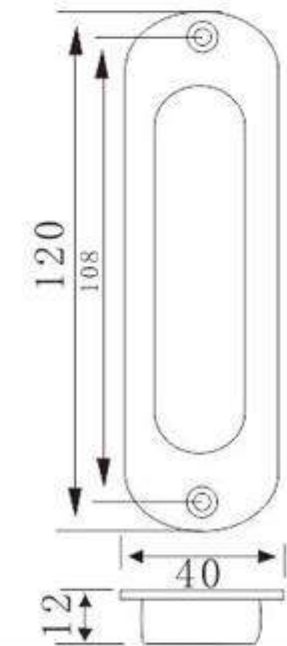
不銹鋼暗拉手

材質：不銹鋼 ( S/S 201,S/S 304,S/S316)  
 表面處理：砂光·拋光·青古銅·紅古銅·仿金



**Stainless steel conceal handle**

Material:Stainless steel(S/S201,S/S304,S/S316)  
 Finish:SS,PSS,BP,GP,AB,AC



**FH-005**

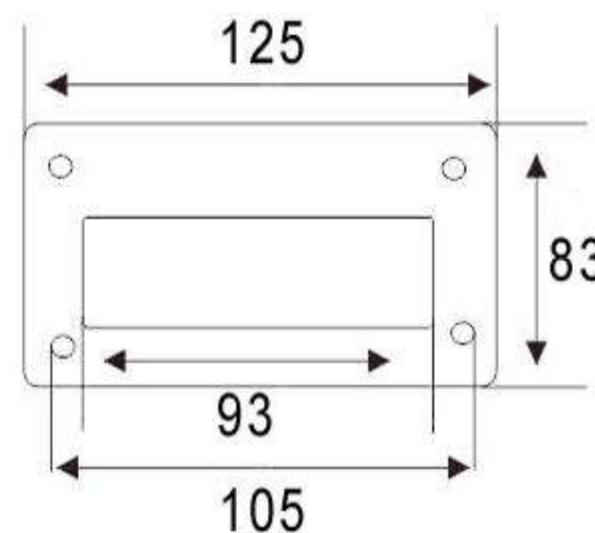
不銹鋼暗拉手

材質：不銹鋼 ( S/S 201,S/S 304,S/S316)  
 表面處理：砂光·拋光·青古銅·紅古銅·仿金

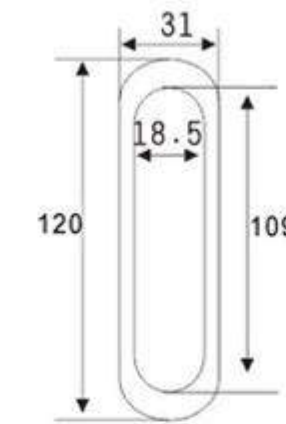


**Stainless steel conceal handle**

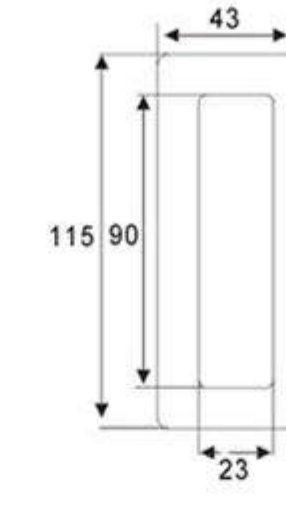
Material:Stainless steel(S/S201,S/S304,S/S316)  
 Finish:SS,PSS,BP,GP,AB,AC



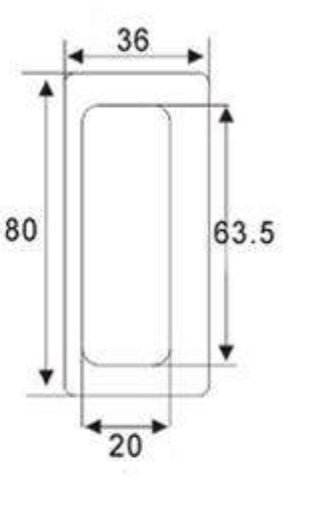
**FH-006**



**FH-007**



**FH-008**



**FH-009**



**FH-010**



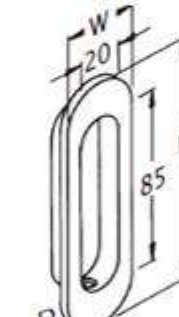
**FH-011**



**FH-012**



**FH-013**



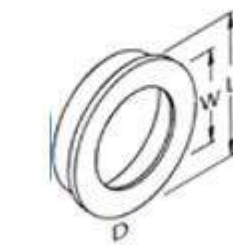
**Stainless steel solid flush pull**  
 L120 x W35 x D12.5  
 L150 x W45 x D16.0

**FH-014**



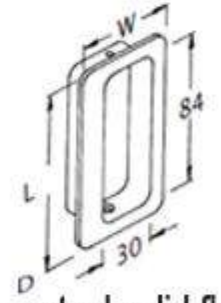
**Stainless steel solid flush pull**  
 L120 x W35 x D12.5  
 L150 x W45 x D16.0

**FH-015**



**Stainless steel solid flush pull**  
 L60 x W35 x D19.0  
 L75 x W50 x D19.0

**FH-016**



**Stainless steel solid flush pull**  
 L100 x W50 x D19.0

**FH-017**



**Stainless steel flush pull**

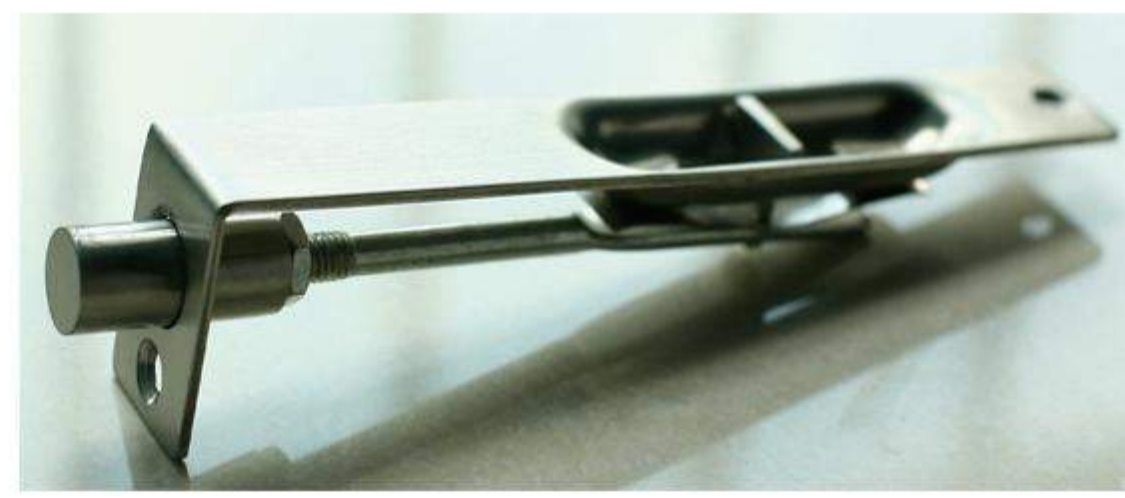
L	W
102	51
150	50
180	60
120	40
120	50
200	60

**FH-018**



**Stainless steel solid flush pull ring**

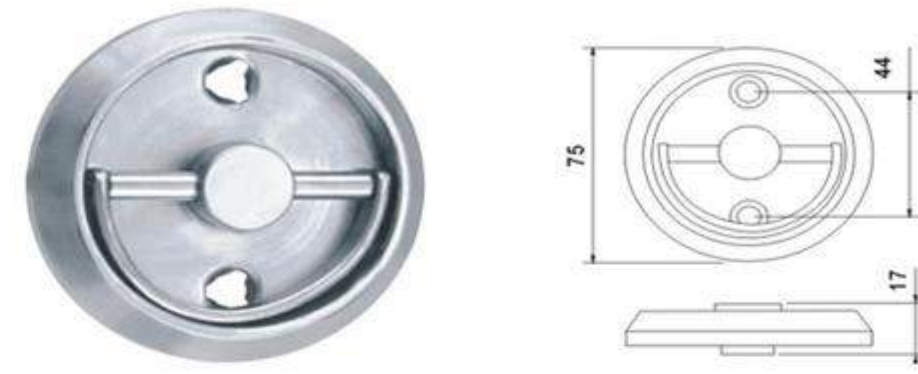
L	W
62	44
48	38



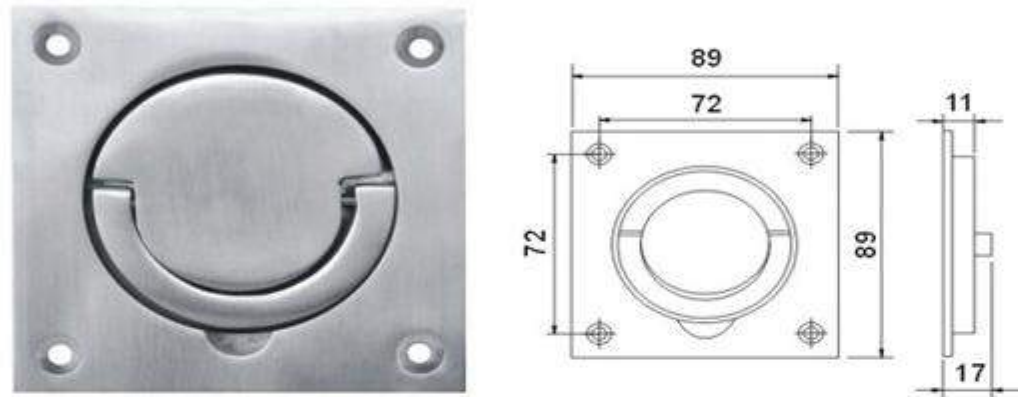
**FH-019**



**FH-020**



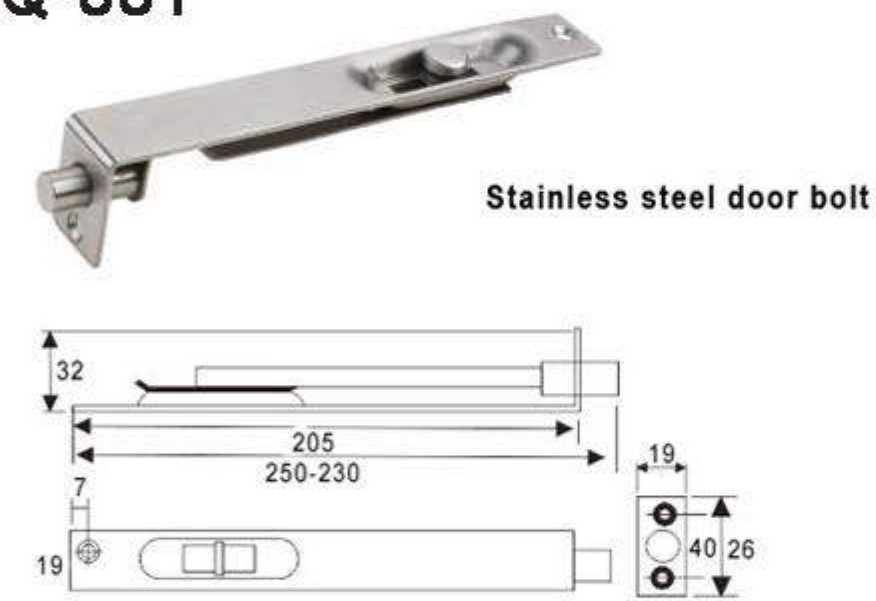
**FH-021**



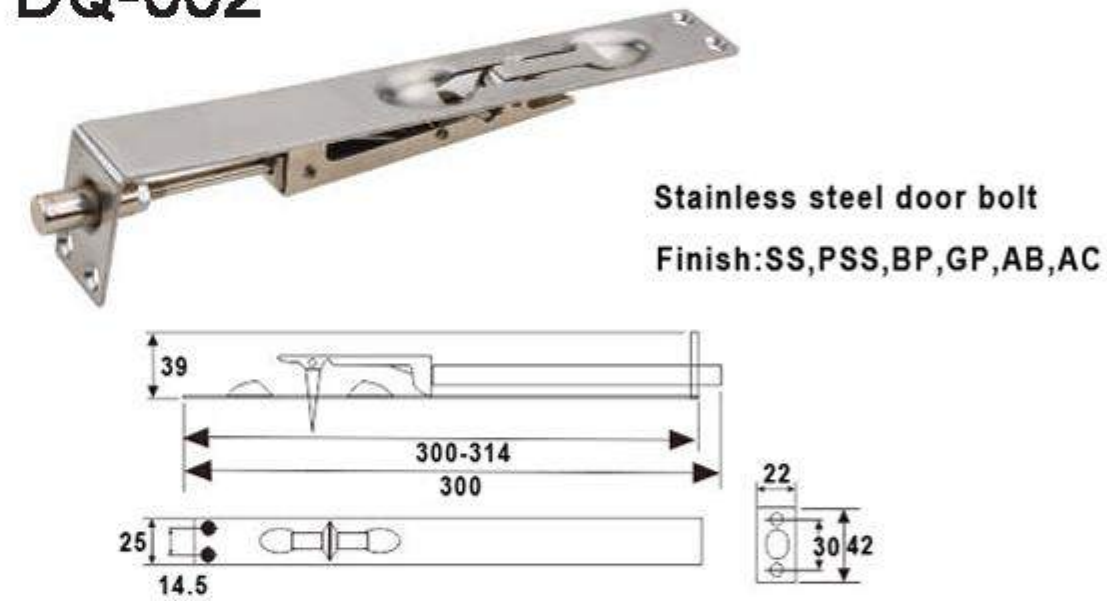
**FH-022**



**DQ-001**



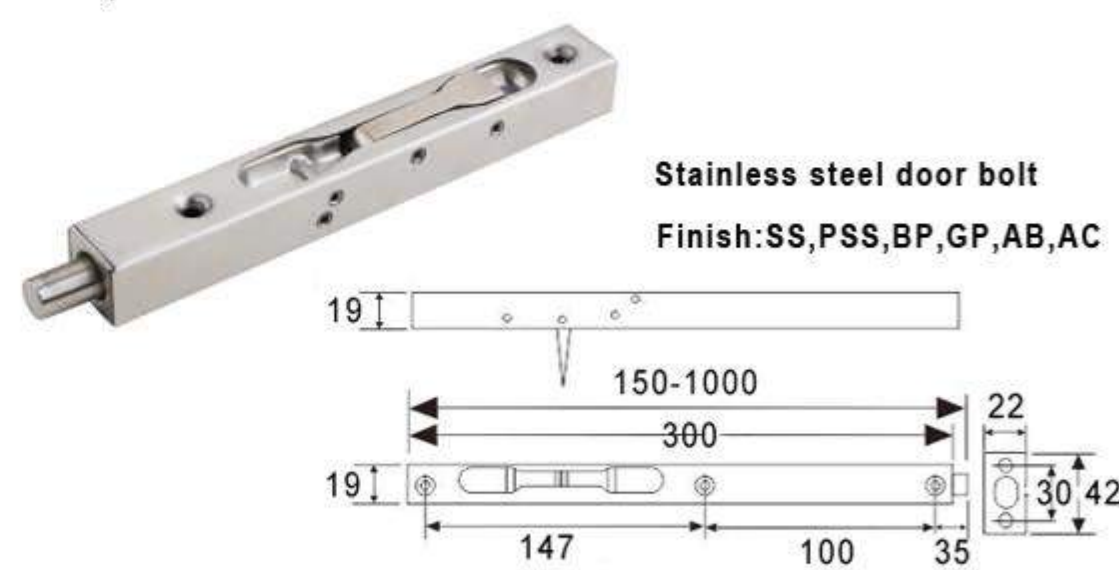
**DQ-002**



**DQ-003**



**DQ-004**



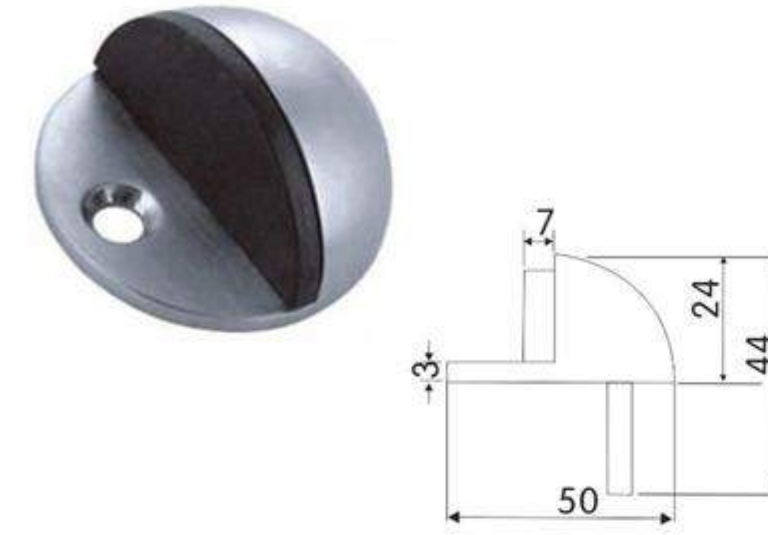
**DQ-005**



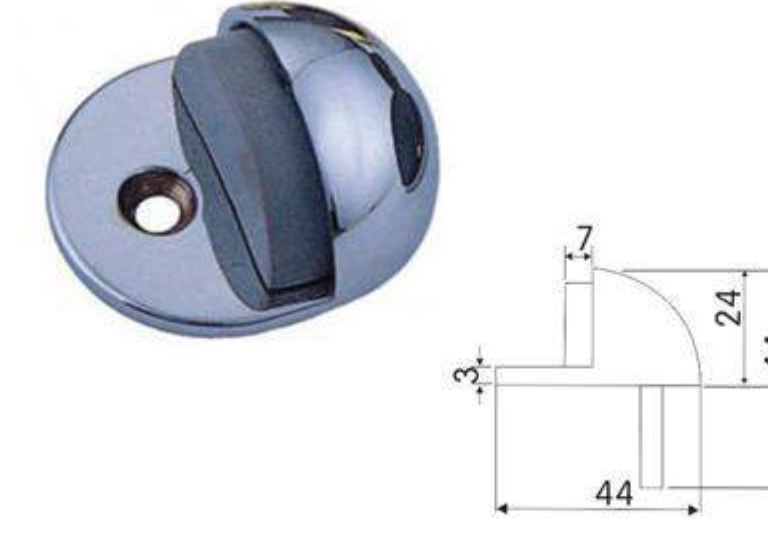
**DQ-006**



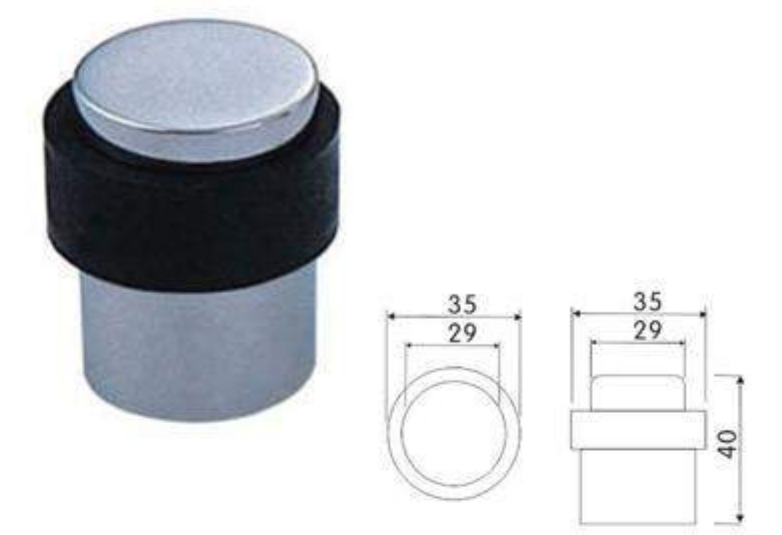
**DA-001**



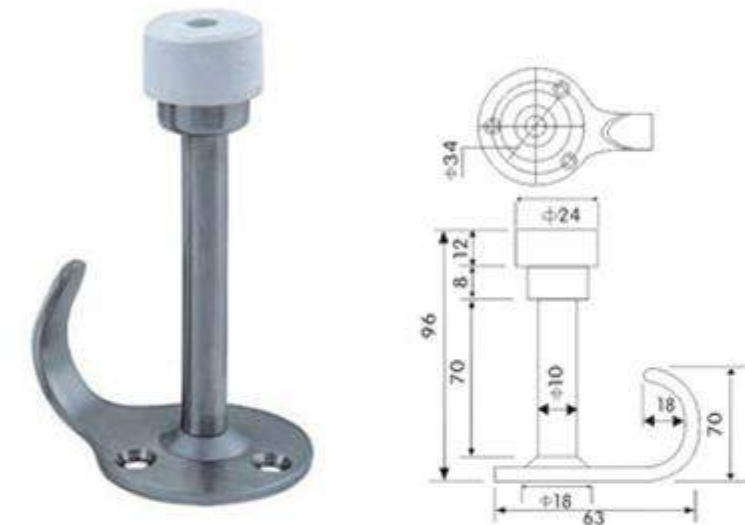
**DA-002**



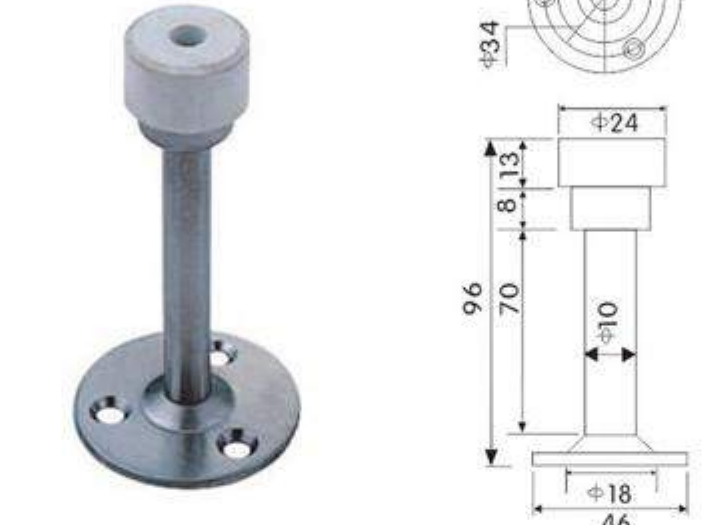
**DA-003**



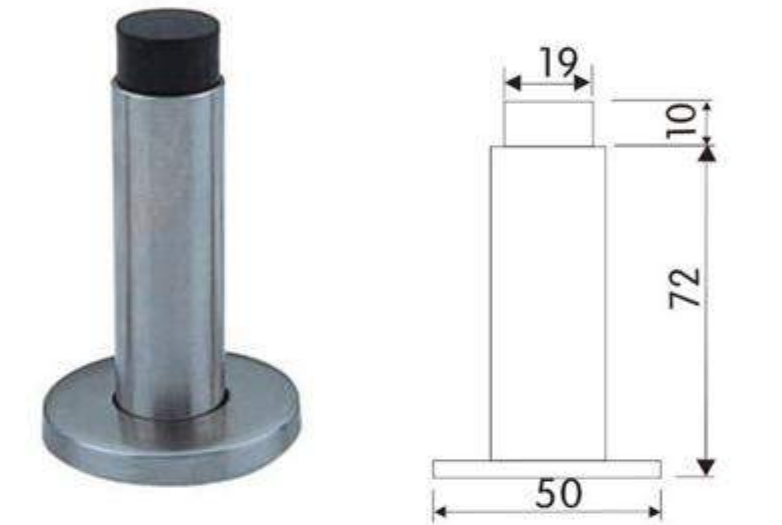
**DA-004**



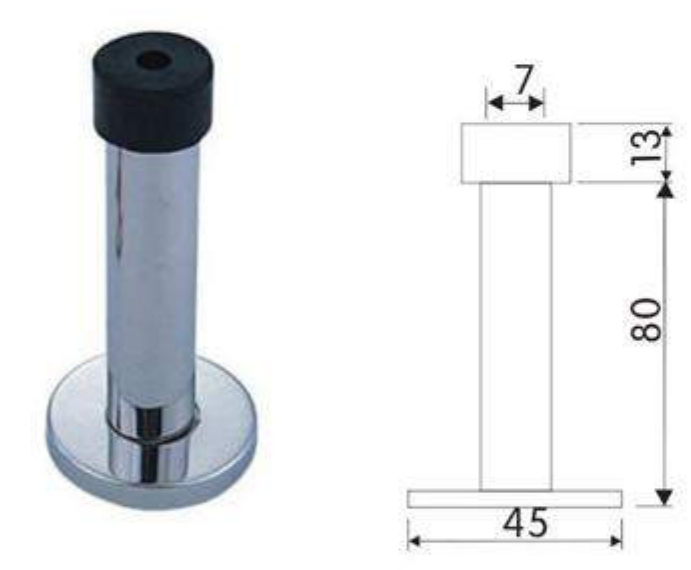
**DA-005**



**DA-006**



**DA-007**



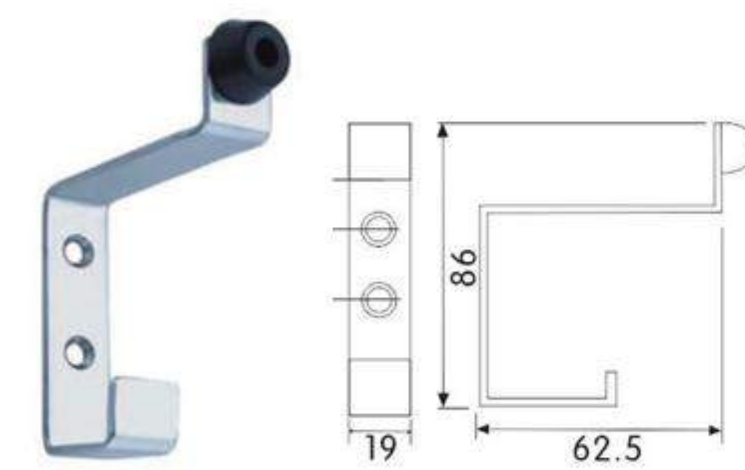
**DA-008**



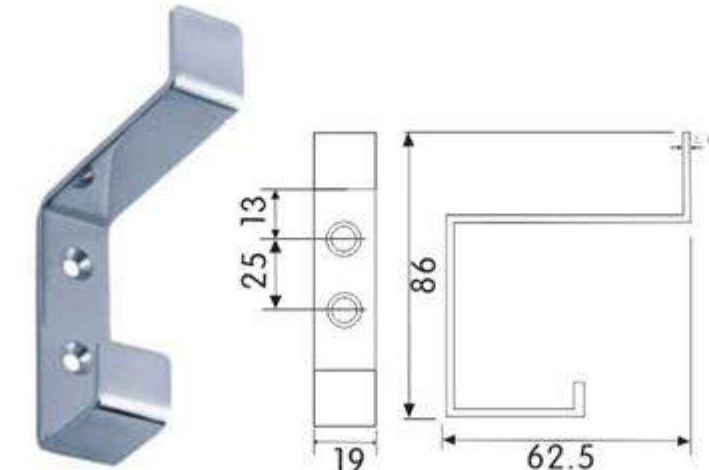
**DA-009**



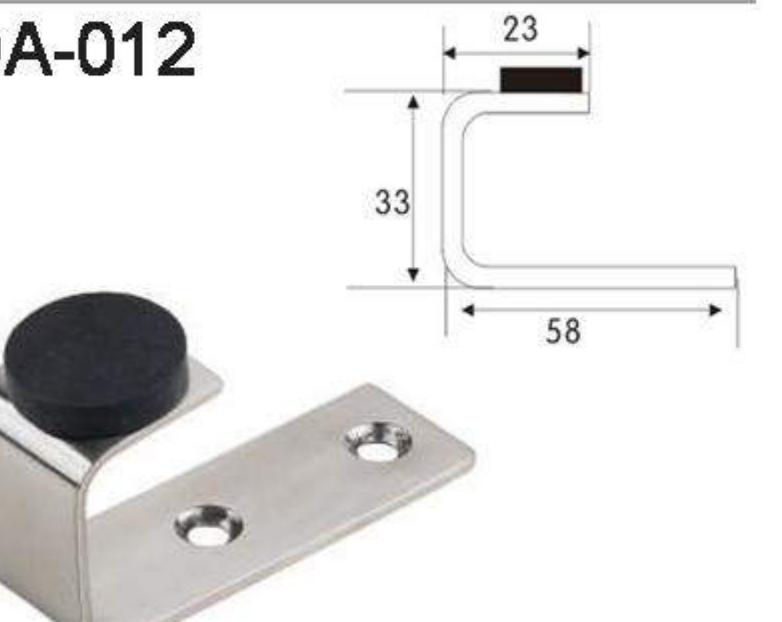
**DA-010**



**DA-011**



**DA-012**



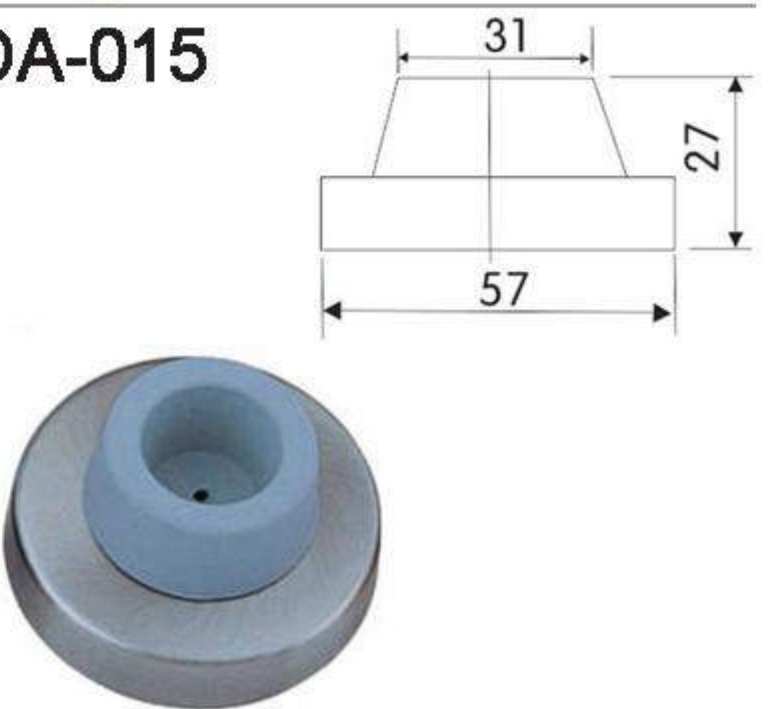
**DA-013**

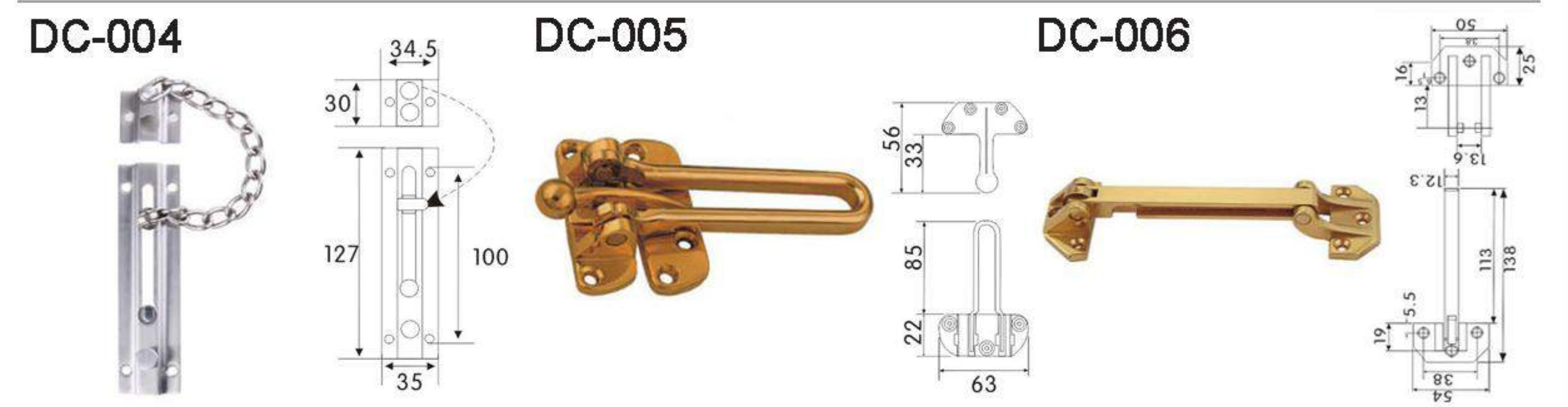
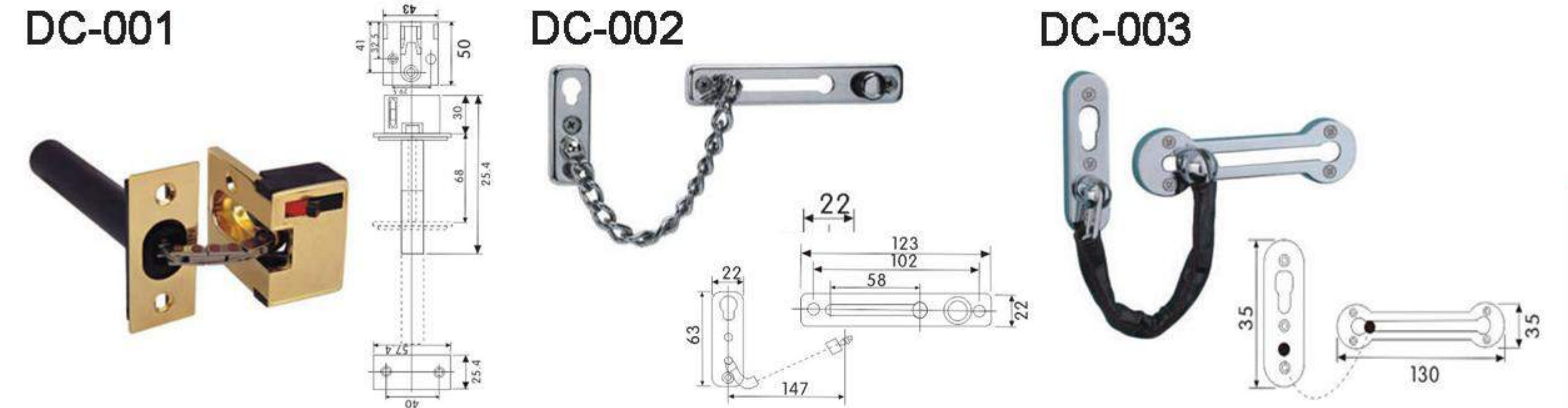
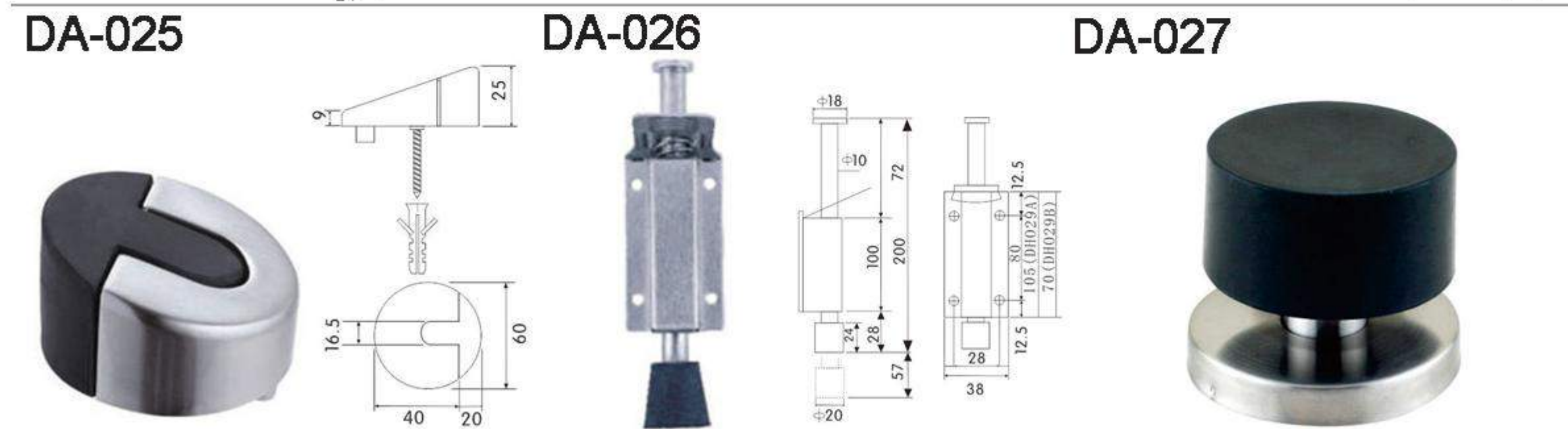


**DA-014**



**DA-015**

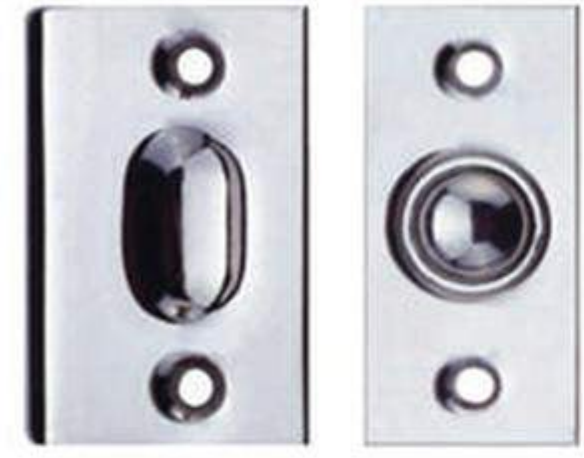




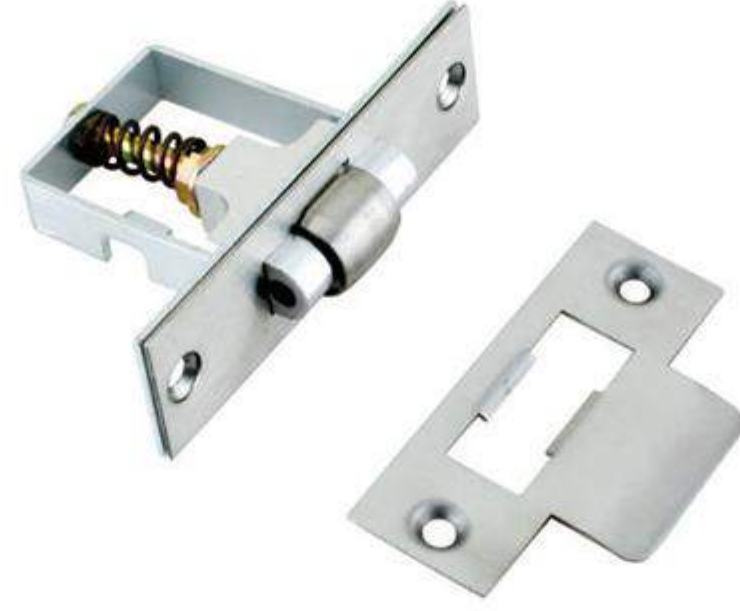




DL-001



DL-002



DL-003



TT-001



TT-002



TT-003



TT-004



TT-005



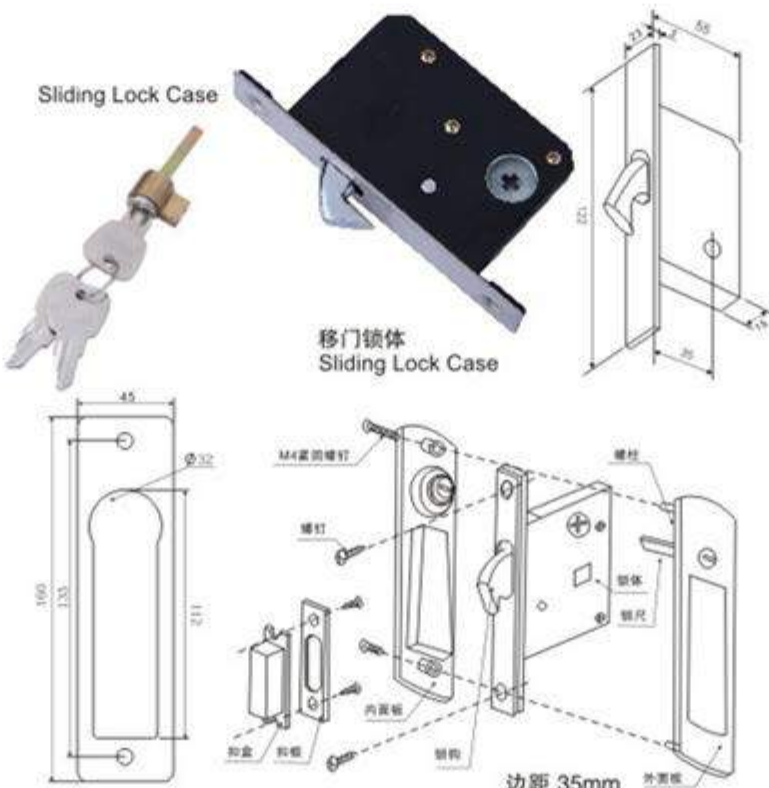
TT-006



SL-001



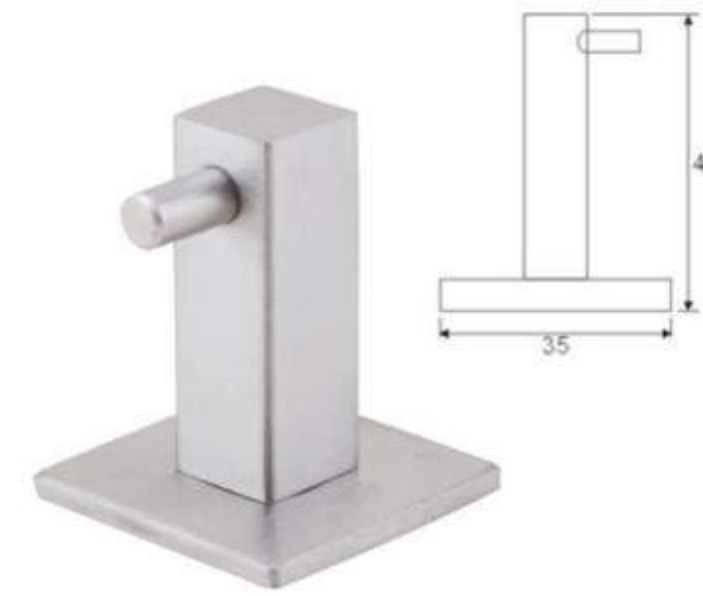
SL-002



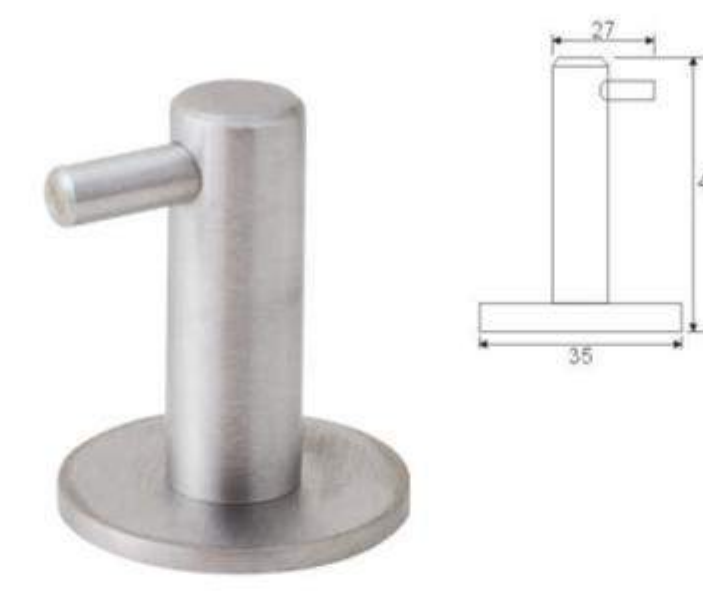
TT-007



HK-001



HK-002



HK-003



HK-004



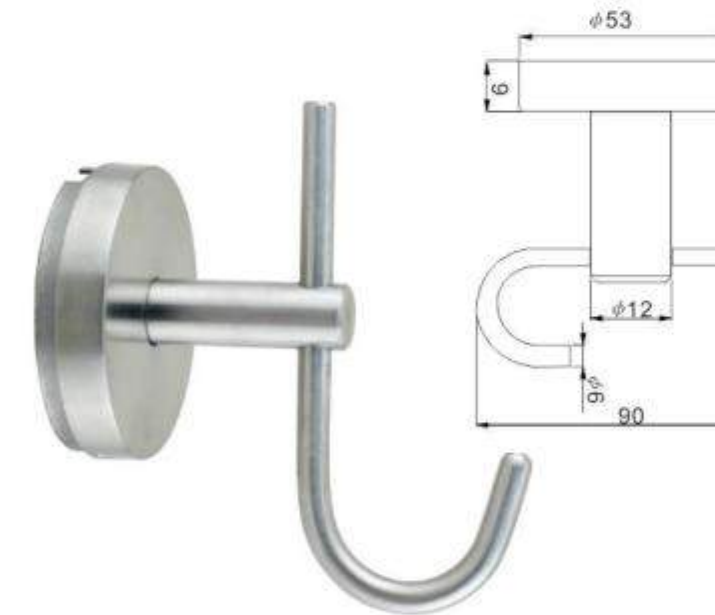
HK-005



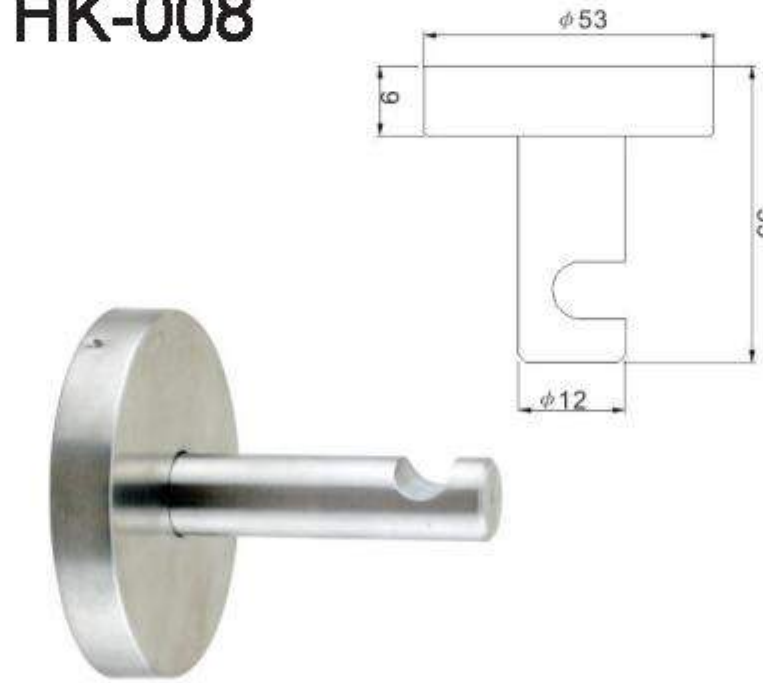
HK-006



HK-007



HK-008



HK-009



HK-010



HK-011



HK-012





FP-001



FP-002



FP-003



FP-004



FP-005



FP-006



FP-007



FP-008



FP-009



FP-010



FP-011



FP-012



FP-013



FP-014



FP-015



FP-016



FP-017



FP-018



FP-019



FP-020



FP-021



FP-022



FP-023



FP-024



FP-025



FP-026



FP-027



FP-028



FP-029

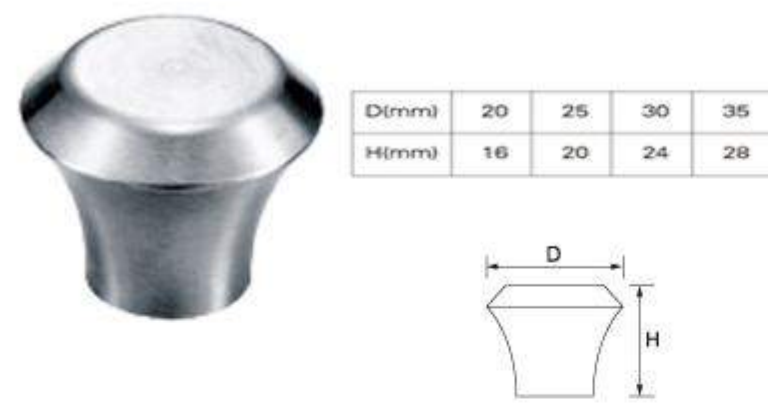


FP-030





FK-001



FK-002



FK-003



FK-004



FK-005



FK-006



FK-007



FK-008



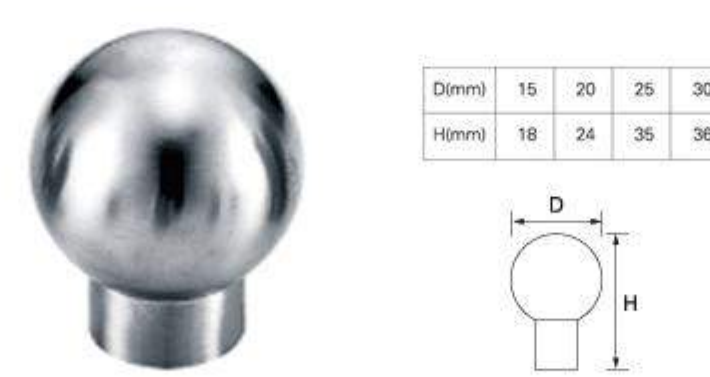
FK-009



FK-010



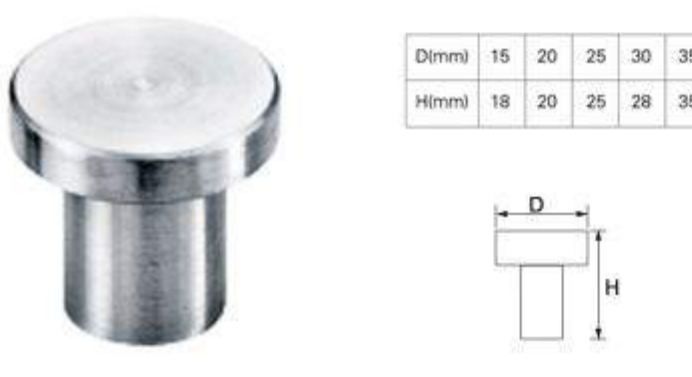
FK-011



FK-012



FK-013



FK-014



FK-015



SP-001



SP-002



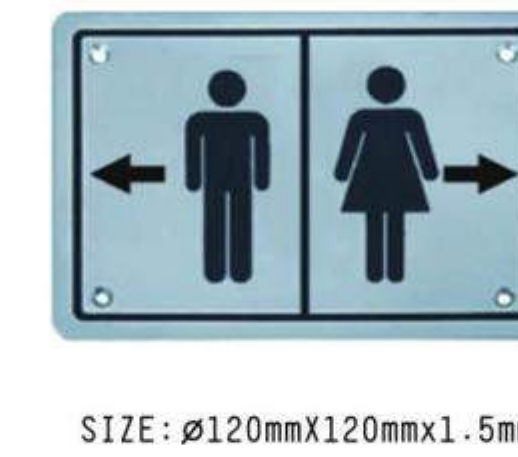
SP-003



SP-004



SP-005



SP-006



SP-007



SP-008



SP-009



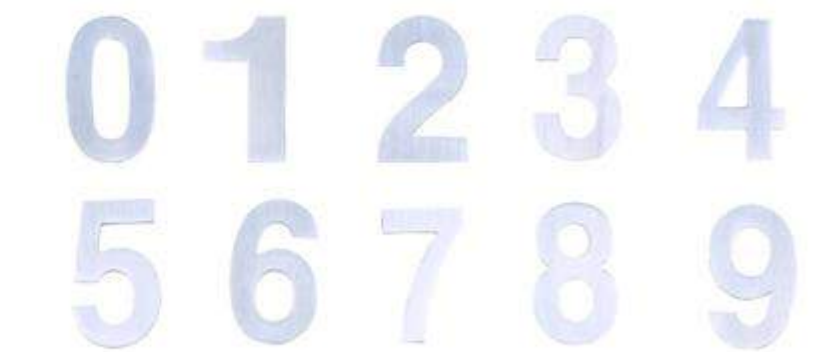
SP-010



SP-011



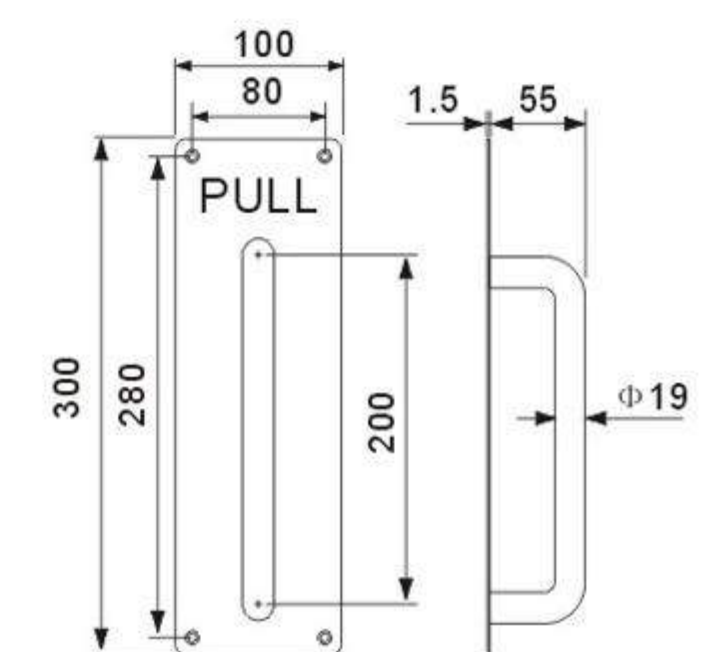
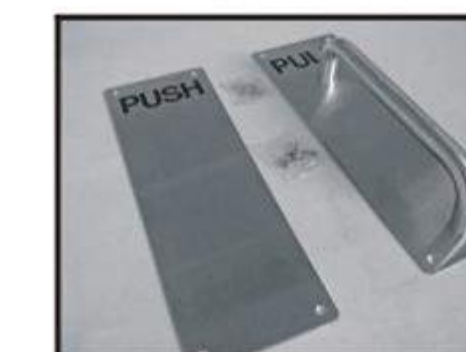
SP-012



SP-013



**Pull handle with plate and push plate**  
Material: Stainless steel (S/S 201, S/S304, S/S 316)  
Finish: SSS, PSS, PVD (satin PVD/polish PVD), AB, AC  
帶面板管拉手及推手板  
材質: 不銹鋼(S/S 201, S/S304, S/S 316)  
表面處理: 磨砂、鏡光、PVD (磨砂PVD/鏡光PVD)、青古銅、紅古銅

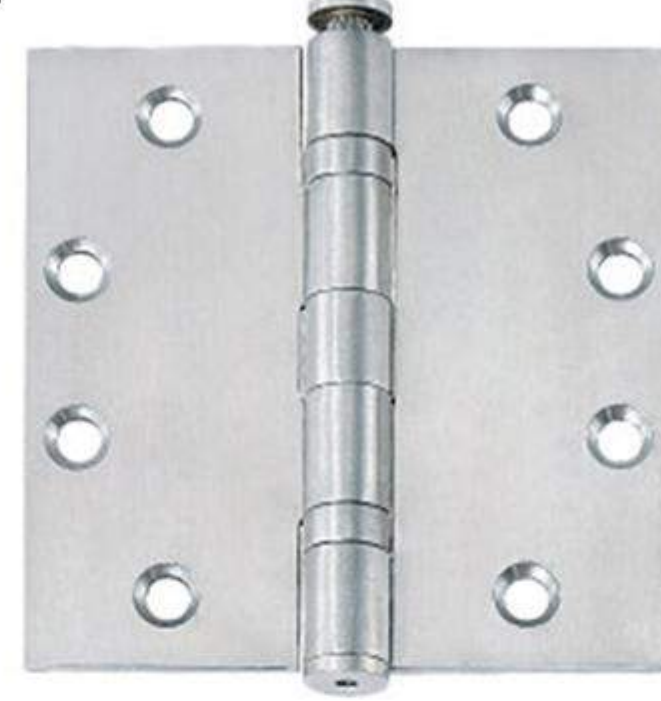




DH-001



DH-002



DH-003



DH-004



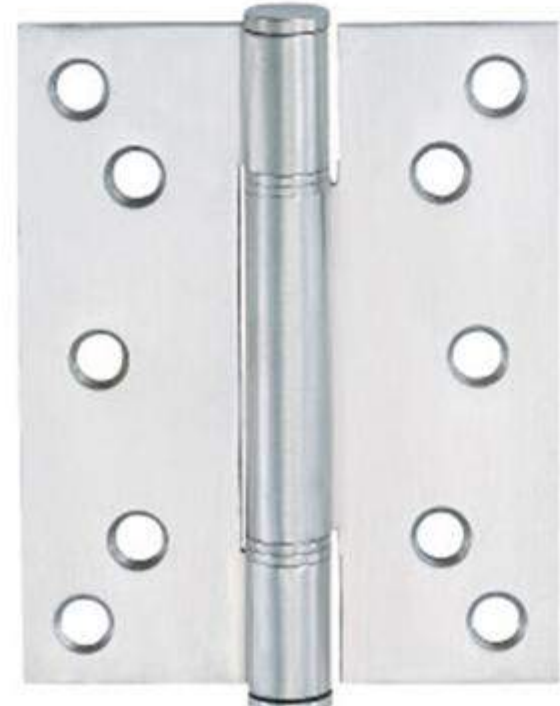
DH-005



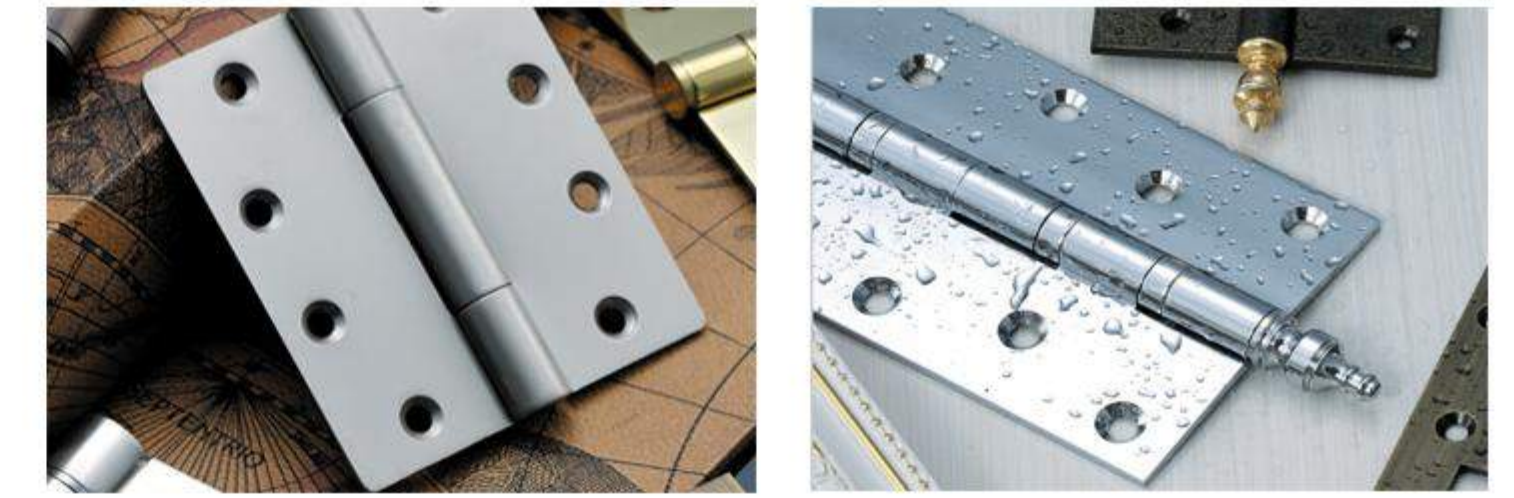
DH-006



DH-007



DH-008



DH-009



DH-010



DH-011



DH-012



DH-013



DH-014



DH-015



DH-016





ML-001



Mortise lock

ML-002



Mortise lock

ML-003

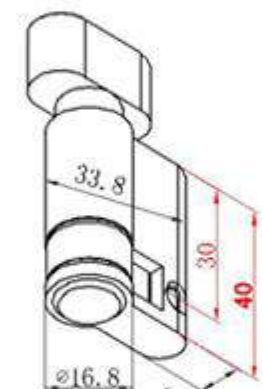


Mortise lock

CY-001



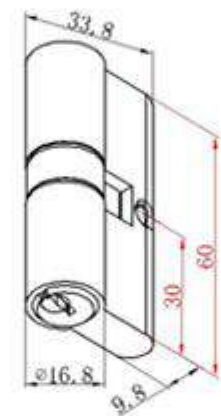
Cylinder



CY-002



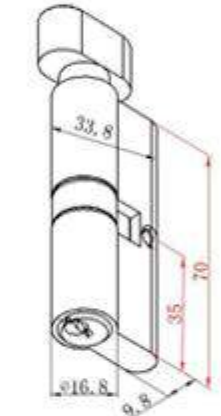
Cylinder



CY-003



Cylinder



DV-001



Brass door viewer

DV-002



Brass door viewer

DV-003



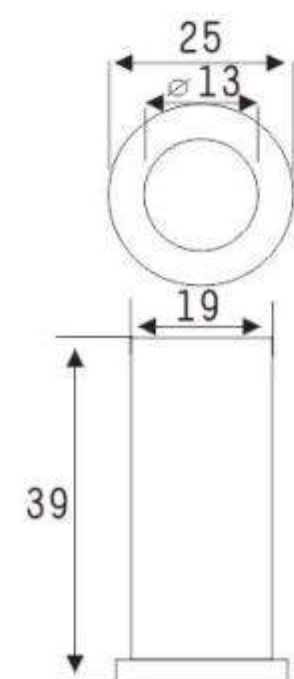
Brass door viewer

DV-004

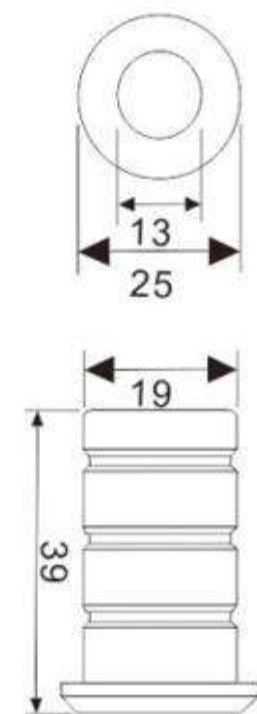


Brass door viewer

DSP-001



DSP-002



DSP-003



WR-001



WR-002



WR-003



WR-004



WR-005



WR-006



WR-008

WR-007



WR-009



WR-010



WR-011



WR-012



WR-013

